

STENNER PUMPS®

60
STENNER
1957-2017

INSPIRED BY OUR CUSTOMERS

CATALOG 2017



INSPIRED BY OUR CUSTOMERS

STENNER PUMP ADVANTAGES

- Self-priming
- Can inject off-gassing solutions
- Easy tube replacement without tools
- 3 point roller assists anti-siphoning
- Food grade pump tube
- Output reproducibility
- Output volume not affected by back pressure
- Solid one piece tube construction
- Tube lubrication not required
- No vapor lock or loss of prime
- Foot valve not required to prime

QuickPro® PUMP LINE

- Robust construction
- Patent pending QuickPro® pump head
- Tube replacement without tools

ECON PUMP LINE

- Compact, designed for light duty
- Patented quick release pump head
- Tube replacement without tools

CATALOG CONTENTS

PUMPS	2-31
QuickPro® Pump Line	2-16
Econ Pump Line	17-31
METER SYSTEMS	16, 19, 22, 25, 32, 33
ACCESSORIES	34-42
Tank Systems	34
Tanks	35
Mixer	36
Flow Switch	37
PCM	38-39
Water Meter	40-42
PARTS	43-54
Pump Tubes	43
Pump Heads & Parts	44-47
Econ Pump Parts	47-49
Check Valves, Misc. Parts	48-49
Motors & Parts	50-52
Feed Rate Control & Parts	53
Mixer Parts	54
Water Meter Parts	54
REFERENCES	55-58
Parts Index	55
Chemical Guide	56-57
Policies	58

Quick Facts

45 SERIES

- Single Head Adjustable or Fixed output
- 0.2 to 22.0 gpd, pressures to 100 psi
- 0.2 to 50.0 gpd, pressures to 25 psi
- 26 rpm

85 SERIES

- Single Head Adjustable or Fixed output
- 0.3 to 40.0 gpd, pressures to 100 psi
- 0.3 to 85.0 gpd, pressures to 25 psi
- 44 rpm

100 SERIES

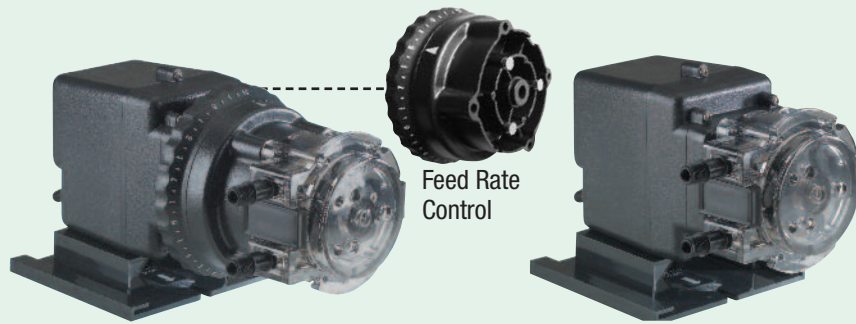
- Double Head Adjustable or Fixed output
- 0.3 to 20.0 gpd, pressures to 100 psi
- 0.3 to 100.0 gpd, pressures to 25 psi
- 26 rpm

170 SERIES

- Double Head Adjustable or Fixed output
- 0.5 to 34.0 gpd, pressures to 100 psi
- 0.5 to 170.0 gpd, pressures to 25 psi
- 44 rpm

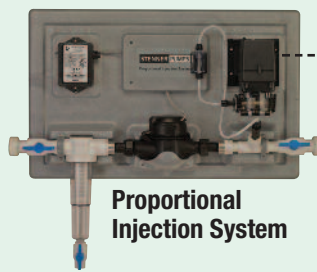
Versatile and Time-Tested

For over 50 years, the versatile Classic series remains a popular choice with installers. The pump is easy to service or convert to another model. Injection can be directly into the water line and activated by a pressure switch or controller.

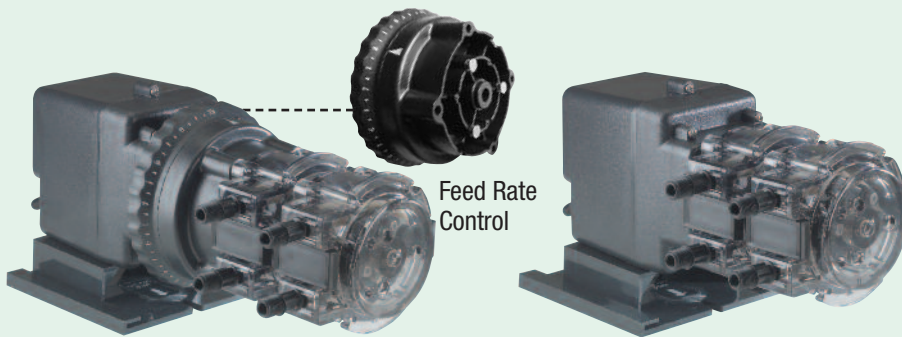


Single Head Adjustable

Single Head Fixed



Proportional
Injection System



Double Head Adjustable

Double Head Fixed

Features

- Advantages of Stenner peristaltic pumps on page 1
- Fast tube replacement without tools with patent pending QuickPro® pump head
- Adjustable models:
 - External adjustable dial ring on feed rate control
 - 20:1 turndown, 2.5% increments
- Single head models:
 - Available as Tank Systems: 7.5, 15, 30 gallon
 - Fixed output version can be utilized for proportional dosing, refer to pages 32-33 and 38-39
- Components are interchangeable between models
- Tank System ships pre-assembled for quick installations

Weights and Dimensions

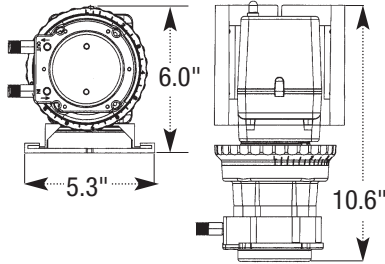
Single Head Adjustable

Shipping Weight 9 lbs (4.1 kg)

Box Dimensions

13 x 8 x 9 in. (33 x 20 x 23 cm)

Product Dimensions



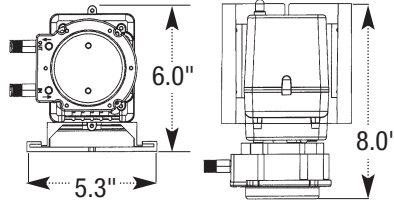
Single Head Fixed

Shipping Weight 8 lbs (3.6 kg)

Box Dimensions

13 x 8 x 9 in. (33 x 20 x 23 cm)

Product Dimensions



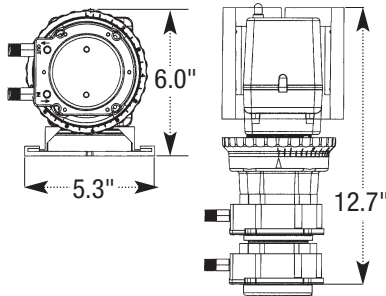
Double Head Adjustable

Shipping Weight 10 lbs (4.5 kg)

Box Dimensions

18 x 8 x 10 in. (46 x 20 x 25 cm)

Product Dimensions



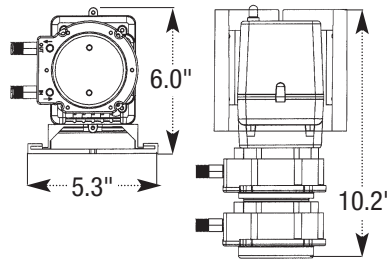
Double Head Fixed

Shipping Weight 9 lbs (4.1 kg)

Box Dimensions

18 x 8 x 10 in. (46 x 20 x 25 cm)

Product Dimensions



Accessory Kit Shipped with Each Pump

- 3 Connecting nuts 1/4" or 3/8"
- 3 Ferrules 1/4" or 6 mm *EUROPE*
- 1 Injection check valve 100 psi (6.9 bar) OR 1 injection fitting 25 psi (1.7 bar)
- 1 Weighted suction line strainer 1/4", 3/8" or 6 mm *EUROPE*
- 1 20' Roll suction/discharge tubing 1/4" or 3/8", white or UV black OR 6 mm white *EUROPE*
- 1 Additional pump tube
- 2 Additional latches
- 1 Mounting bracket
- 1 Manual

Specifications

Flow Rate Output Control

Adjustable model: External dial ring

Reproducibility $\pm 2\%$

Maximum Working Pressure

25 psi (1.7 bar), 100 psi (6.9 bar)

Maximum Operating Temperature 125°F (52°C)

Maximum Suction Lift

25 ft (7.6 m) vertical lift, based on water

Motor Type 1/30 HP, shaded pole, class B

Duty Cycle Continuous

Motor Voltage (Amp Draw)

120V 60Hz 1PH (1.7), 220V 60Hz 1PH (0.9),
230V 50Hz 1PH (0.9) *INTERNATIONAL*,
250V 50Hz 1PH (0.9) *INTERNATIONAL*

Power Cord Type SJTOW

Power Cord Plug End

120V 60Hz NEMA 5/15, 220V 60Hz NEMA 6/15,
230V 50Hz CEE 7/VII, 250V 50Hz CEE 7/VII

Materials of Construction

All Housings Polycarbonate

Pump Tube & Check Valve Duckbill Santoprene[®],
optional Versilon[™], FDA approved

CV Duckbill with Versilon[™] Tube Pellathane^{®†}

Pump Head Rollers HDPE

Roller Bushings Oil impregnated sintered bronze

Suction/Discharge Tubing, Ferrules 1/4" & 6 mm
Polyethylene, FDA approved

Tube Fittings, Check Valve Fittings

Black fittings: PP, NSF listed

Connecting Nuts PP or Type 1 Rigid PVC

3/8" Adapter Type 1 Rigid PVC, NSF listed

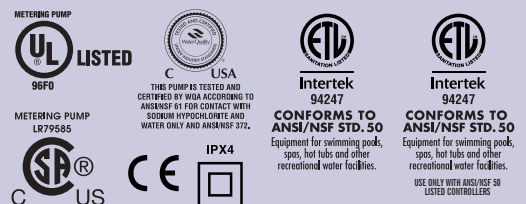
Suction Line Strainer PP or Type 1 Rigid PVC body
with Type 1 Rigid PVC cap, NSF listed; ceramic weight

All Fasteners Stainless steel

Pump Head Latches Polypropylene

Agency Listings

- Models (Santoprene[®] only) tested by Water Quality Association to conform to ANSI/NSF STD 61 & 372
- Adjustable models (Santoprene[®] only) tested by ETL to conform to ANSI/NSF STD 50
- Fixed output models (Santoprene[®] only) tested by ETL to conform to ANSI/NSF STD 50 only when used with ANSI/NSF STD 50 listed controllers



Listings vary by model

* Santoprene[®] is a registered trademark of Exxon Mobil Corporation.

** Versilon[™] is a registered trademark of Saint-Gobain Performance Plastics.

† Pellathane[®] is a registered trademark of The Dow Company.

CLASSIC SERIES

Single Head Adjustable - Flow Rate Output Chart 0-25 psi (0-1.7 bar) Approximate 20:1 turndown, 2.5% increments

Model	Item Number Prefix	Pump Tube	Gallons per Day	Liters per Day	Gallons per Hour	Liters per Hour	Ounces per Minute	Milliliters per Minute	Liters per Day	Liters per Hour	Milliliters per Minute	
45 SERIES	45M1	45MJL1	1	0.2 to 3.0	0.8 to 11.4	0.01 to 0.13	0.03 to 0.48	0.02 to 0.27	0.56 to 7.92	0.6 to 9.1	0.02 to 0.38	0.31 to 6.32
	45M2	45MJL2	2	0.5 to 10.0	1.9 to 37.9	0.02 to 0.42	0.08 to 1.58	0.04 to 0.89	1.32 to 26.32	1.5 to 30.3	0.06 to 1.26	1.04 to 21.04
	45M3	45MJL3	3	1.1 to 22.0	4.2 to 83.3	0.05 to 0.92	0.18 to 3.47	0.10 to 1.96	2.92 to 57.85	3.3 to 66.6	0.14 to 2.78	2.29 to 46.25
	45M4	45MJL4	4	1.7 to 35.0	6.4 to 132.5	0.07 to 1.46	0.27 to 5.52	0.15 to 3.11	4.44 to 92.01	5.1 to 106.0	0.21 to 4.42	3.54 to 73.61
	45M5	45MJL5	5	2.5 to 50.0	9.5 to 189.3	0.10 to 2.08	0.40 to 7.89	0.22 to 4.44	6.60 to 131.43	7.6 to 151.4	0.32 to 6.31	5.28 to 105.14
85 SERIES	85M1	85MJL1	1	0.3 to 5.0	1.1 to 18.9	0.01 to 0.21	0.05 to 0.79	0.03 to 0.44	0.76 to 13.13	0.9 to 15.1	0.04 to 0.63	0.52 to 10.49
	85M2	85MJL2	2	0.8 to 17.0	3.0 to 64.4	0.03 to 0.71	0.13 to 2.68	0.07 to 1.51	2.08 to 44.65	2.4 to 51.5	0.10 to 2.15	1.67 to 35.76
	85M3	85MJL3	3	2.0 to 40.0	7.6 to 151.4	0.08 to 1.67	0.32 to 6.31	0.18 to 3.55	5.27 to 105.14	6.1 to 121.1	0.25 to 5.05	4.24 to 84.10
	85M4	85MJL4	4	3.0 to 60.0	11.4 to 227.1	0.13 to 2.5	0.48 to 9.46	0.27 to 5.33	7.92 to 157.71	9.1 to 181.7	0.38 to 7.57	6.32 to 126.18
	85M5	85MJL5	5	4.3 to 85.0	16.3 to 321.8	0.18 to 3.54	0.68 to 13.4	0.38 to 7.55	11.32 to 223.40	13.0 to 257.4	0.54 to 10.73	9.03 to 178.75
Approximate Output @ 60Hz									Approximate Output @ 50Hz			

Single Head Adjustable - Flow Rate Output Chart 26-100 psi (1.8-6.9 bar) Approximate 20:1 turndown, 2.5% increments

Model	Item Number Prefix	Pump Tube	Gallons per Day	Liters per Day	Gallons per Hour	Liters per Hour	Ounces per Minute	Milliliters per Minute	Liters per Day	Liters per Hour	Milliliters per Minute	
45 SERIES	45MHP2	45MJH1	1	0.2 to 3.0	0.8 to 11.4	0.01 to 0.13	0.03 to 0.48	0.02 to 0.27	0.56 to 7.92	0.6 to 9.1	0.02 to 0.38	0.31 to 6.32
	45MHP10	45MJH2	2	0.5 to 10.0	1.9 to 37.9	0.02 to 0.42	0.08 to 1.58	0.04 to 0.89	1.32 to 26.32	1.5 to 30.3	0.06 to 1.26	1.04 to 21.04
	45MHP22	45MJH7	7	1.1 to 22.0	4.2 to 83.3	0.05 to 0.92	0.18 to 3.47	0.10 to 1.96	2.92 to 57.85	3.3 to 66.6	0.14 to 2.78	2.29 to 46.25
85 SERIES	85MHP5	85MJH1	1	0.3 to 5.0	1.1 to 18.9	0.01 to 0.21	0.05 to 0.79	0.03 to 0.44	0.76 to 13.13	0.9 to 15.1	0.04 to 0.63	0.52 to 10.49
	85MHP17	85MJH2	2	0.8 to 17.0	3.0 to 64.4	0.03 to 0.71	0.13 to 2.68	0.07 to 1.51	2.08 to 44.65	2.4 to 51.5	0.10 to 2.15	1.67 to 35.76
	85MHP40	85MJH7	7	2.0 to 40.0	7.6 to 151.4	0.08 to 1.67	0.32 to 6.31	0.18 to 3.55	5.27 to 105.14	6.1 to 121.1	0.25 to 5.05	4.24 to 84.10
Approximate Output @ 60Hz									Approximate Output @ 50Hz			

NOTE: Injection check valve included with pumps rated 26-100 psi (1.8-6.9 bar).

NOTICE: The information within these charts is solely intended for use as a guide. The output data is an approximation based on pumping water under a controlled testing environment. Many variables can affect the output of the pump. Stenner Pump Company recommends that all metering pumps undergo field calibration by means of analytical testing to confirm their outputs.

Item Number Builder

[]	[]	[]	[]	[]	[]	[]	[]	[]	[]	[]	[]
Item Number Prefix											
↓ Omit if not ordering Tank System											
Tank System S7G 7.5-Gallon UV Gray S7N 7.5-Gallon White S1G 15-Gallon UV Gray S1N 15-Gallon White S3G 30-Gallon UV Gray S3N 30-Gallon White <ul style="list-style-type: none"> • For single head pump only. • Tanks also sold separately on page 35. 	Voltage & Hertz A 120V 60Hz B 220V 60Hz C 230V 50Hz, CEE7 Cord <i>INTERNATIONAL</i> D 250V 50Hz, CEE7 Cord <i>INTERNATIONAL</i> Contact the factory for additional voltage and cord options.	Suction & Discharge Tubing 1 1/4" White 2 1/4" UV Black 3 3/8" White 4 3/8" UV Black 5 6 mm White <i>EUROPE</i> O.D. does not affect output.	Tube Material S Santoprene® T Versilon™ (#7 not available) Refer to the chemical resistance guide for chemical compatibility.								

How to build an Item Number

1. Refer to above **Flow Rate Output Chart** to select a pump.
2. Select the **Item Number Prefix** from the output chart.
3. Select the remaining options to complete the item number.

Single Head Fixed - Flow Rate Output Chart 0-25 psi (0-1.7 bar)

Model	Item Number Prefix	Pump Tube	Gallons per Day	Liters per Day	Gallons per Hour	Liters per Hour	Ounces per Minute	Milliliters per Minute	Liters per Day	Liters per Hour	Milliliters per Minute	
45 SERIES	45MP1	45MFL1	1	3.0	11.4	0.13	0.48	0.27	7.92	9.1	0.38	6.32
	45MP2	45MFL2	2	10.0	37.9	0.42	1.58	0.89	26.32	30.3	1.26	21.04
	45MP3	45MFL3	3	22.0	83.3	0.92	3.47	1.96	57.85	66.6	2.78	46.25
	45MP4	45MFL4	4	35.0	132.5	1.46	5.52	3.11	92.01	106.0	4.42	73.61
	45MP5	45MFL5	5	50.0	189.3	2.08	7.89	4.44	131.43	151.4	6.31	105.14
85 SERIES	85MP1	85MFL1	1	5.0	18.9	0.21	0.79	0.44	13.13	15.1	0.63	10.49
	85MP2	85MFL2	2	17.0	64.4	0.71	2.68	1.51	44.65	51.5	2.15	35.76
	85MP3	85MFL3	3	40.0	151.4	1.67	6.31	3.55	105.14	121.1	5.05	84.10
	85MP4	85MFL4	4	60.0	227.1	2.50	9.46	5.33	157.71	181.7	7.57	126.18
	85MP5	85MFL5	5	85.0	321.8	3.54	13.40	7.55	223.40	257.4	10.73	178.75
Approximate Output @ 60Hz									Approximate Output @ 50Hz			

Single Head Fixed - Flow Rate Output Chart 26-100 psi (1.8-6.9 bar)

Model	Item Number Prefix	Pump Tube	Gallons per Day	Liters per Day	Gallons per Hour	Liters per Hour	Ounces per Minute	Milliliters per Minute	Liters per Day	Liters per Hour	Milliliters per Minute	
45 SERIES	45MPHP2	45MFH1	1	3.0	11.4	0.13	0.48	0.27	7.92	9.1	0.38	6.32
	45MPHP10	45MFH2	2	10.0	37.9	0.42	1.58	0.89	26.32	30.3	1.26	21.04
	45MPHP22	45MFH7	7	22.0	83.3	0.92	3.47	1.96	57.85	66.6	2.78	46.25
85 SERIES	85MPHP5	85MFH1	1	5.0	18.9	0.21	0.79	0.44	13.13	15.1	0.63	10.49
	85MPHP17	85MFH2	2	17.0	64.4	0.71	2.68	1.51	44.65	51.5	2.15	35.76
	85MPHP40	85MFH7	7	40.0	151.4	1.67	6.31	3.55	105.14	121.1	5.05	84.10
Approximate Output @ 60Hz									Approximate Output @ 50Hz			

NOTE: Injection check valve included with pumps rated 26-100 psi (1.8-6.9 bar).

NOTICE: The information within these charts is solely intended for use as a guide. The output data is an approximation based on pumping water under a controlled testing environment. Many variables can affect the output of the pump. Stenner Pump Company recommends that all metering pumps undergo field calibration by means of analytical testing to confirm their outputs.

Item Number Builder

Item Number Prefix

Omit if not ordering Tank System

Tank System

S7G 7.5-Gallon UV Gray

S7N 7.5-Gallon White

S1G 15-Gallon UV Gray

S1N 15-Gallon White

S3G 30-Gallon UV Gray

S3N 30-Gallon White

- For single head pump only.
- Tanks also sold separately on page 35.

Voltage & Hertz

A 120V 60Hz

B 220V 60Hz

C 230V 50Hz, CEE7 Cord *INTERNATIONAL*

D 250V 50Hz, CEE7 Cord *INTERNATIONAL*

Contact the factory for additional voltage and cord options.

Suction & Discharge Tubing

1 1/4" White

2 1/4" UV Black

3 3/8" White

4 3/8" UV Black

5 6 mm White *EUROPE*

O.D. does not affect output.

Tube Material

S Santoprene®

T Versilon™ (#7 not available)

Refer to the chemical resistance guide for chemical compatibility.

How to build an Item Number

1. Refer to above **Flow Rate Output Chart** to select a pump.
2. Select the **Item Number Prefix** from the output chart.
3. Select the remaining options to complete the item number.

CLASSIC SERIES

Double Head Adjustable - Flow Rate Output Chart 0-25 psi (0-1.7 bar) Approximate 20:1 turndown, 2.5% increments

Model	Item Number Prefix	Pump Tube	Gallons per Day	Liters per Day	Gallons per Hour	Liters per Hour	Ounces per Minute	Milliliters per Minute	Liters per Day	Liters per Hour	Milliliters per Minute	
100 SERIES	100DM1	100JL1	1	0.3 to 6.0	1.1 to 22.7	0.01 to 0.25	0.05 to 0.95	0.03 to 0.53	0.76 to 15.76	0.9 to 18.2	0.04 to 0.76	0.61 to 12.64
	100DM2	100JL2	2	1.0 to 20.0	3.8 to 75.7	0.04 to 0.83	0.16 to 3.15	0.09 to 1.78	2.64 to 52.57	3.0 to 60.6	0.13 to 2.53	2.11 to 42.06
	100DM3	100JL3	3	2.2 to 44.0	8.3 to 166.5	0.09 to 1.83	0.35 to 6.94	0.19 to 3.91	5.76 to 115.63	6.6 to 133.2	0.28 to 5.55	4.58 to 92.50
	100DM4	100JL4	4	3.5 to 70.0	13.2 to 265.0	0.15 to 2.92	0.55 to 11.04	0.31 to 6.22	9.17 to 184.03	10.6 to 212.0	0.44 to 8.83	7.36 to 147.22
	100DM5	100JL5	5	5.0 to 100.0	18.9 to 378.5	0.21 to 4.17	0.79 to 15.77	0.44 to 8.88	13.13 to 262.88	15.1 to 302.8	0.63 to 12.61	10.49 to 210.28
170 SERIES	170DM1	170JL1	1	0.5 to 10.0	1.9 to 37.9	0.02 to 0.42	0.08 to 1.58	0.04 to 0.89	1.32 to 26.32	1.5 to 30.3	0.06 to 1.26	1.04 to 21.04
	170DM2	170JL2	2	1.7 to 34.0	6.4 to 128.7	0.07 to 1.42	0.27 to 5.36	0.15 to 3.02	4.44 to 89.38	5.1 to 102.6	0.21 to 4.29	3.54 to 71.55
	170DM3	170JL3	3	4.0 to 80.0	15.1 to 302.8	0.17 to 3.33	0.63 to 12.62	0.35 to 7.11	10.49 to 210.28	12.1 to 242.2	0.50 to 10.09	8.40 to 168.22
	170DM4	170JL4	4	6.0 to 120.0	22.7 to 454.2	0.25 to 5.00	0.95 to 18.93	0.53 to 10.66	15.76 to 315.42	18.2 to 363.4	0.76 to 15.14	12.64 to 252.36
	170DM5	170JL5	5	8.5 to 170.0	32.2 to 643.5	0.35 to 7.08	1.34 to 26.80	0.76 to 15.10	22.36 to 446.88	25.7 to 514.8	1.07 to 21.45	17.92 to 357.50
Approximate Output @ 60Hz									Approximate Output @ 50Hz			

Double Head Adjustable - Flow Rate Output Chart 26-100 psi (1.8-6.9 bar) Approximate 20:1 turndown, 2.5% increments

Model	Item Number Prefix	Pump Tube	Gallons per Day	Liters per Day	Gallons per Hour	Liters per Hour	Ounces per Minute	Milliliters per Minute	Liters per Day	Liters per Hour	Milliliters per Minute	
100 SERIES	100DMHP5	100JH1	1	0.3 to 6.0	1.1 to 22.7	0.01 to 0.25	0.05 to 0.95	0.03 to 0.53	0.76 to 15.76	0.9 to 18.2	0.04 to 0.76	0.61 to 12.64
	100DMHP20	100JH2	2	1.0 to 20.0	3.8 to 75.7	0.04 to 0.83	0.16 to 3.15	0.09 to 1.78	2.64 to 52.57	3.0 to 60.6	0.13 to 2.53	2.11 to 42.06
170 SERIES	170DMHP9	170JH1	1	0.5 to 10.0	1.9 to 37.9	0.02 to 0.42	0.08 to 1.58	0.04 to 0.89	1.32 to 26.32	1.5 to 30.3	0.06 to 1.26	1.04 to 21.04
	170DMHP34	170JH2	2	1.7 to 34.0	6.4 to 128.7	0.07 to 1.42	0.27 to 5.36	0.15 to 3.02	4.44 to 89.38	5.1 to 102.6	0.21 to 4.29	3.54 to 71.55
Approximate Output @ 60Hz									Approximate Output @ 50Hz			

NOTE: Injection check valve included with pumps rated 26-100 psi (1.8-6.9 bar).

NOTICE: The information within these charts is solely intended for use as a guide. The output data is an approximation based on pumping water under a controlled testing environment. Many variables can affect the output of the pump. Stenner Pump Company recommends that all metering pumps undergo field calibration by means of analytical testing to confirm their outputs.

Item Number Builder

Item Number Prefix

Voltage & Hertz

A 120V 60Hz

B 220V 60Hz

C 230V 50Hz, CEE7 Cord
INTERNATIONAL

D 250V 50Hz, CEE7 Cord
INTERNATIONAL

Contact the factory for additional voltage and cord options.

Suction & Discharge Tubing

1 1/4" White

2 1/4" UV Black

3 3/8" White

4 3/8" UV Black

5 6 mm White *EUROPE*

O.D. does not affect output.

Tube Material

S Santoprene®

T Versilon™
(#7 not available)

Refer to the chemical resistance guide for chemical compatibility.

How to build an Item Number

1. Refer to above **Flow Rate Output Chart** to select a pump.
2. Select the **Item Number Prefix** from the output chart.
3. Select the remaining options to complete the item number.

Double Head Fixed - Flow Rate Output Chart 0-25 psi (0-1.7 bar)

	Model	Item Number Prefix	Pump Tube	Gallons per Day	Liters per Day	Gallons per Hour	Liters per Hour	Ounces per Minute	Milliliters per Minute	Liters per Day	Liters per Hour	Milliliters per Minute
100 SERIES	100DMP1	100FL1	1	6.0	22.7	0.25	0.95	0.53	15.76	18.2	0.76	12.64
	100DMP2	100FL2	2	20.0	75.7	0.83	3.15	1.78	52.57	60.6	2.53	42.06
	100DMP3	100FL3	3	44.0	166.5	1.83	6.94	3.91	115.63	133.2	5.55	92.50
	100DMP4	100FL4	4	70.0	265.0	2.92	11.04	6.22	184.03	212.0	8.83	147.22
	100DMP5	100FL5	5	100.0	378.5	4.17	15.77	8.88	262.88	302.8	12.61	210.28
170 SERIES	170DMP1	170FL1	1	10.0	37.9	0.42	1.58	0.89	26.32	30.3	1.26	21.04
	170DMP2	170FL2	2	34.0	128.7	1.42	5.36	3.02	89.38	102.6	4.29	71.55
	170DMP3	170FL3	3	80.0	302.8	3.33	12.62	7.11	210.28	242.2	10.09	168.22
	170DMP4	170FL4	4	120.0	454.2	5.00	18.93	10.66	315.42	363.4	15.14	252.36
	170DMP5	170FL5	5	170.0	643.6	7.08	26.80	15.10	446.88	514.8	21.45	357.50
Approximate Output @ 60Hz										Approximate Output @ 50Hz		

Double Head Fixed - Flow Rate Output Chart 26-100 psi (1.8-6.9 bar)

	Model	Item Number Prefix	Pump Tube	Gallons per Day	Liters per Day	Gallons per Hour	Liters per Hour	Ounces per Minute	Milliliters per Minute	Liters per Day	Liters per Hour	Milliliters per Minute
100 SERIES	100DMPHP5	100FH1	1	6.0	22.7	0.25	0.95	0.53	15.76	18.2	0.76	12.64
	100DMPHP20	100FH2	2	20.0	75.7	0.83	3.15	1.78	52.57	60.6	2.53	42.06
170 SERIES	170DMPHP9	170FH1	1	10.0	37.9	0.42	1.58	0.89	26.32	30.3	1.26	21.04
	170DMPHP34	170FH2	2	34.0	128.7	1.42	5.36	3.02	89.38	102.6	4.29	71.55
Approximate Output @ 60Hz										Approximate Output @ 50Hz		

NOTE: Injection check valve included with pumps rated 26-100 psi (1.8-6.9 bar).

NOTICE: The information within these charts is solely intended for use as a guide. The output data is an approximation based on pumping water under a controlled testing environment. Many variables can affect the output of the pump. Stenner Pump Company recommends that all metering pumps undergo field calibration by means of analytical testing to confirm their outputs.

Item Number Builder

Item Number Prefix

Voltage & Hertz

A 120V 60Hz

B 220V 60Hz

C 230V 50Hz, CEE7 Cord *INTERNATIONAL*

D 250V 50Hz, CEE7 Cord *INTERNATIONAL*

Contact the factory for additional voltage and cord options.

Suction & Discharge Tubing

1 1/4" White

2 1/4" UV Black

3 3/8" White

4 3/8" UV Black

5 6 mm White *EUROPE*

O.D. does not affect output.

Tube Material

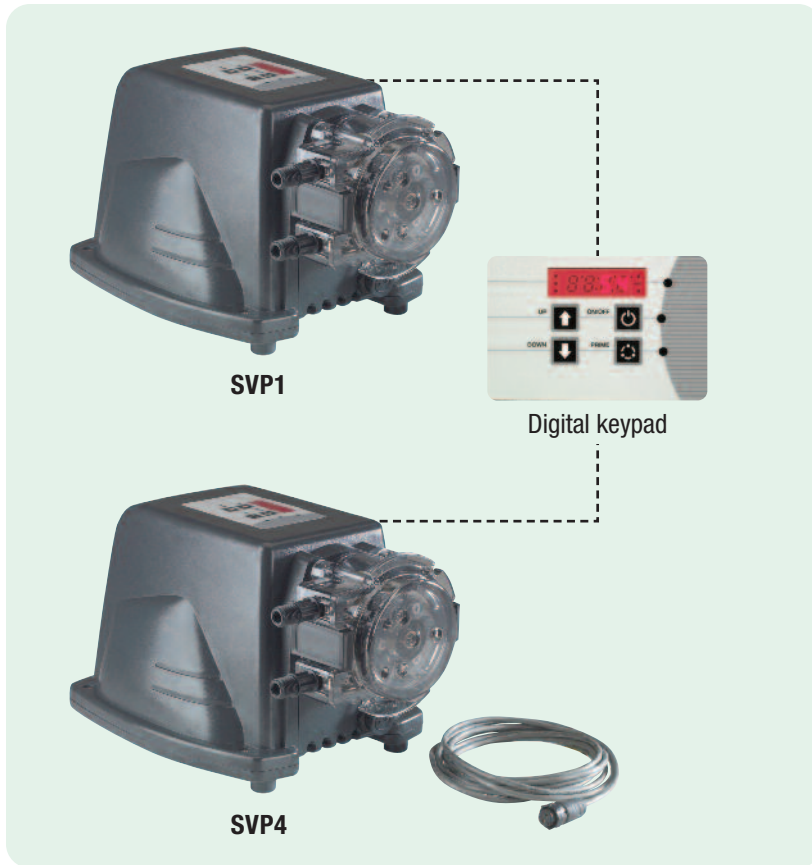
S Santoprene®

T Versilon™ (#7 not available)

Refer to the chemical resistance guide for chemical compatibility.

How to build an Item Number

1. Refer to above **Flow Rate Output Chart** to select a pump.
2. Select the **Item Number Prefix** from the output chart.
3. Select the remaining options to complete the item number.



Quick Facts

- 0.3 to 40.0 gpd, pressures to 100 psi
- 0.3 to 85.0 gpd, pressures to 25 psi
- Digital keypad with LED display
- 20:1 turndown, 1% increments, non-scalable

SVP1

- Manual output control

SVP4

- Automatic output control via 4-20mA signal or manually adjusted

Well-Suited for Industrial Applications

The SVP series is an adjustable, variable speed, peristaltic metering pump suitable for industrial applications, municipal and wastewater treatment plants. The pump can accept a 4-20mA signal from a water treatment control such as a pH or ORP monitor to pace the pump to maintain proper water chemistry and treat effluent discharge water. The output is adjusted by increasing or decreasing the motor speed.

Two Sub-Series, SVP1 and SVP4

The SVP is categorized into two sub-series, SVP1 and SVP4. The SVP1 is manually adjusted using the keypad. The SVP4 is designed to respond directly to a 4-20mA input signal from water treatment controls. The pump is equipped with an external port to accept the signal or it can be set to a manual mode and adjusted with the arrows on the keypad.

Features

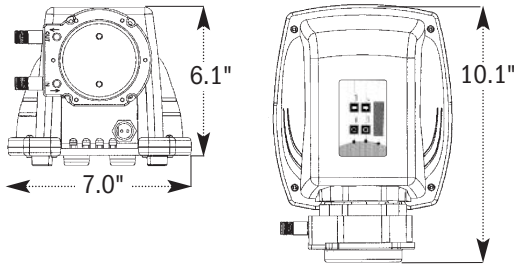
- Advantages of Stenner peristaltic pumps on page 1
- Fast tube replacement without tools with patent pending QuickPro® pump head
- DC motor
- Motor and pump head detachable without tools
- Rugged polycarbonate housing
- Heavy duty gear motor
- 4 button keypad: prime, on/off, up & down arrows

Weights and Dimensions

Shipping Weight 10 lbs (4.5 kg)

Box Dimensions 14 x 9 x 9 in. (35 x 23 x 23 cm)

Product Dimensions



Accessory Kit Shipped with Each Pump

- 3 Connecting nuts 1/4" or 3/8"
- 3 Ferrules 1/4" or 6 mm *EUROPE*
- 1 Injection check valve 100 psi (6.9 bar) OR 1 injection fitting 25 psi (1.7 bar)
- 1 Weighted suction line strainer 1/4", 3/8" or 6 mm *EUROPE*
- 1 20' Roll suction/discharge tubing 1/4" or 3/8", white or UV black OR 6 mm white *EUROPE*
- 1 Additional pump tube
- 2 Additional latches
- 1 Manual

Specifications

Flow Rate Output Control Digital keypad

Reproducibility $\pm 2\%$

Maximum Working Pressure

25 psi (1.7 bar), 100 psi (6.9 bar)

Maximum Operating Temperature 125°F (52°C)

Maximum Suction Lift

25 ft (7.6 m) vertical lift, based on water

Motor Type 12VDC gear motor

Shaft rpm 47

Duty Cycle Continuous

Motor Voltage (Amp Draw)

120V 50/60Hz 1PH (1.5), 220V 50/60Hz 1PH (1.5),
12VDC (4.2), 230V 50/60Hz 1PH (1.5) *INTERNATIONAL*,
250V 50/60Hz 1PH (1.5) *INTERNATIONAL*

Power Cord Type

120V, 220V, 230V, 250V: SJTOW

12VDC: VW-1

Power Cord Plug End

120V 60Hz NEMA 5/15, 220V 60Hz NEMA 6/15,

230V 50Hz CEE 7/VII, 250V 50Hz CEE 7/VII

12VDC Pigtail connection

Materials of Construction

All Housings Polycarbonate

Pump Tube & Check Valve Duckbill Santoprene[®],
optional Versilon[™], FDA approved

CV Duckbill with Versilon[™] Tube Pellathane[®]†

Pump Head Rollers HDPE

Roller Bushings Oil impregnated sintered bronze

Suction/Discharge Tubing, Ferrules 1/4" & 6 mm

Polyethylene, FDA approved

Tube Fittings, Check Valve Fittings

Black fittings: PP, NSF listed

Connecting Nuts PP or Type 1 Rigid PVC

3/8" Adapter Type 1 Rigid PVC, NSF listed

Suction Line Strainer PP or Type 1 Rigid PVC body
with Type 1 Rigid PVC cap, NSF listed; ceramic weight

All Fasteners Stainless steel

Pump Head Latches Polypropylene

Agency Listings

Models (Santoprene[®] only) tested by Water Quality
Association to conform to ANSI/NSF STD 61 & 372.



NOTE: Listings vary by model. 12VDC pumps do not carry any agency listings.

* Santoprene[®] is a registered trademark of Exxon Mobil Corporation.

** Versilon[™] is a registered trademark of Saint-Gobain Performance Plastics.

† Pellathane[®] is a registered trademark of The Dow Company.

SVP SERIES

SVP - Flow Rate Output Chart 0-25 psi (0-1.7 bar)

	Model	Item Number Prefix	Pump Tube	Gallons per Day	Liters per Day	Gallons per Hour	Liters per Hour	Ounces per Minute	Milliliters per Minute
MANUAL	SVP1L1	SVP1L1	1	0.3 to 5.0	1.1 to 18.9	0.01 to 0.21	0.05 to 0.79	0.03 to 0.44	0.76 to 13.13
	SVP1L2	SVP1L2	2	0.8 to 17.0	3.0 to 64.4	0.03 to 0.71	0.13 to 2.68	0.07 to 1.51	2.08 to 44.65
	SVP1L3	SVP1L3	3	2.0 to 40.0	7.6 to 151.4	0.08 to 1.67	0.32 to 6.31	0.18 to 3.55	5.27 to 105.14
	SVP1L4	SVP1L4	4	3.0 to 60.0	11.4 to 227.1	0.13 to 2.50	0.48 to 9.46	0.27 to 5.33	7.92 to 157.71
	SVP1L5	SVP1L5	5	4.3 to 85.0	16.3 to 321.8	0.18 to 3.54	0.68 to 13.40	0.38 to 7.55	11.32 to 223.40
4-20mA INPUT*	SVP4L1	SVP4L1	1	0.3 to 5.0	1.1 to 18.9	0.01 to 0.21	0.05 to 0.79	0.03 to 0.44	0.76 to 13.13
	SVP4L2	SVP4L2	2	0.8 to 17.0	3.0 to 64.4	0.03 to 0.71	0.13 to 2.68	0.07 to 1.51	2.08 to 44.65
	SVP4L3	SVP4L3	3	2.0 to 40.0	7.6 to 151.4	0.08 to 1.67	0.32 to 6.31	0.18 to 3.55	5.27 to 105.14
	SVP4L4	SVP4L4	4	3.0 to 60.0	11.4 to 227.1	0.13 to 2.50	0.48 to 9.46	0.27 to 5.33	7.92 to 157.71
	SVP4L5	SVP4L5	5	4.3 to 85.0	16.3 to 321.8	0.18 to 3.54	0.68 to 13.40	0.38 to 7.55	11.32 to 223.40

Approximate Output @ 50/60Hz

SVP - Flow Rate Output Chart 26-100 psi (1.8-6.9 bar)

	Model	Item Number Prefix	Pump Tube	Gallons per Day	Liters per Day	Gallons per Hour	Liters per Hour	Ounces per Minute	Milliliters per Minute
MANUAL	SVP1H1	SVP1H1	1	0.3 to 5.0	1.1 to 18.9	0.01 to 0.21	0.05 to 0.79	0.03 to 0.44	0.76 to 13.13
	SVP1H2	SVP1H2	2	0.8 to 17.0	3.0 to 64.4	0.03 to 0.71	0.13 to 2.68	0.07 to 1.51	2.08 to 44.65
	SVP1H7	SVP1H7	7	2.0 to 40.0	7.6 to 151.4	0.08 to 1.67	0.32 to 6.31	0.18 to 3.55	5.27 to 105.14
4-20mA INPUT*	SVP4H1	SVP4H1	1	0.3 to 5.0	1.1 to 18.9	0.01 to 0.21	0.05 to 0.79	0.03 to 0.44	0.76 to 13.13
	SVP4H2	SVP4H2	2	0.8 to 17.0	3.0 to 64.4	0.03 to 0.71	0.13 to 2.68	0.07 to 1.51	2.08 to 44.65
	SVP4H7	SVP4H7	7	2.0 to 40.0	7.6 to 151.4	0.08 to 1.67	0.32 to 6.31	0.18 to 3.55	5.27 to 105.14

Approximate Output @ 50/60Hz

* Input Signal Voltage/Resistance Max. 48 VDC/128 ohm.

NOTE: Injection check valve included with pumps rated 26-100 psi (1.8-6.9 bar).

NOTICE: The information within these charts is solely intended for use as a guide. The output data is an approximation based on pumping water under a controlled testing environment. Many variables can affect the output of the pump. Stenner Pump Company recommends that all metering pumps undergo field calibration by means of analytical testing to confirm their outputs.

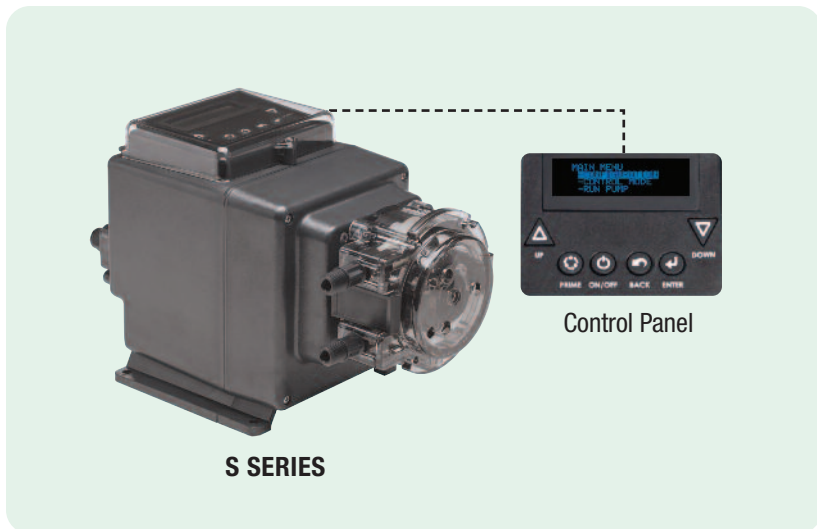
Item Number Builder



Voltage & Hertz A 120V 60Hz B 220V 60Hz C 230V 50Hz, CEE7 Cord <i>INTERNATIONAL</i> D 250V 50Hz, CEE7 Cord <i>INTERNATIONAL</i> V 12VDC (No agency listings) Contact the factory for additional voltage and cord options.	Suction & Discharge Tubing 1 1/4" White 3 3/8" White 5 6 mm White <i>EUROPE</i> O.D. does not affect output.	Tube Material S Santoprene® T Versilon™ (#7 not available) Refer to the chemical resistance guide for chemical compatibility.
---	--	--

How to build an Item Number

1. Refer to above **Flow Rate Output Chart** to select a pump.
2. Select the **Item Number Prefix** from the output chart.
3. Select the remaining options to complete the item number.



Designed for Demanding Applications

The S Series is an advanced peristaltic metering pump built to NEMA 4X for demanding applications. Select from multiple operational modes and performance indicators that readily interface with process control systems utilizing a 4-20mA output signal and three relay outputs. Navigate through the many pump configurations with the tactile keypad and OLED display to customize the parameters for the specific application.

Quick Facts

- 0.05 to 40.0 gpd, pressures to 100 psi
- 0.40 to 85.0 gpd, pressures to 25 psi
- Digital keypad with OLED display
- Tube leak detector
- Tube life timer
- Password protection

Features

- Advantages of Stenner peristaltic pumps on page 1
- Fast tube replacement without tools with patent pending QuickPro® pump head
- Brushless DC motor with ball bearing support
- Switch mode power supply
- Totally enclosed housing
- NEMA 4X
- NSF 61 & 372
- cULus indoor/outdoor
- CE IP65

Performance Indicators

Pump Condition	Control Mode	Programmable Communication	
		Display Alarm on pump control panel	Output Relay to another pump, system or device
Tube Change	Manual 4-20mA* 0-10VDC* Pulse Hall Effect 7 Day Timer PPM Feed Cycle Timer	✓	not applicable
Tube Leak		✓	✓
Standby		✓	✓
Drive Fault		✓	✓
Off		✓	✓
Repeat Pulse		not applicable	✓
Run		not applicable	✓
Mode Change		not applicable	✓
Transfer		not applicable	✓
High Signal		4-20mA* or 0-10VDC*	✓
Low Signal	4-20mA* or 0-10VDC*	✓	✓
High Flow	Hall Effect or PPM Feed	✓	✓
Low Flow	Hall Effect	✓	✓
Signal Overrun	Pulse	✓	✓

* Scalable, invertible

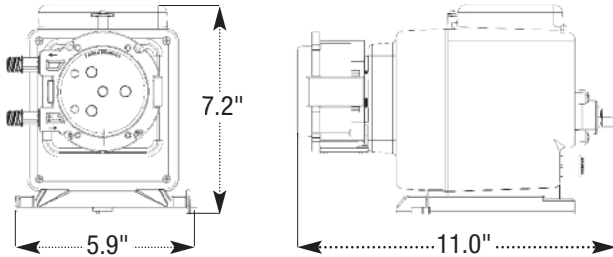
S SERIES

Weights and Dimensions

Shipping Weight 8 lbs (3.7 kg)

Box Dimensions 14 x 9 x 9 in. (35 x 23 x 23 cm)

Product Dimensions



Accessory Kit Shipped with Each Pump

- 3 Connecting nuts 1/4" or 3/8"
- 3 Ferrules 1/4" or 6 mm *EUROPE*
- 1 Injection check valve 100 psi (6.9 bar) OR
1 injection fitting 25 psi (1.7 bar)
- 1 Weighted suction line strainer 1/4", 3/8" or 6 mm *EUROPE*
- 1 20' Roll suction/discharge tubing 1/4" or 3/8", white or UV black
OR 6 mm white *EUROPE*
- 1 Additional pump tube
- 2 Additional latches
- 1 Mounting bracket
- 1 Quick start guide

Specifications

Flow Rate Output Control

Varies per control mode; digital keypad

Reproducibility $\pm 2\%$

Maximum Working Pressure

25 psi (1.7 bar), 100 psi (6.9 bar)

Maximum Operating Temperature 104°F (40°C)

Maximum Suction Lift

25 ft (7.6 m) vertical lift, based on water

Motor Type Brushless DC motor

Duty Cycle Continuous

Motor Voltage (Amp Draw)

120V 60Hz 1PH (0.6), 230V 50Hz 1PH (0.3)

Power Cord Type

120V 60Hz SJTOWA, 230V 50Hz H05RNF

Power Cord Plug End

120V 60Hz 15P, 230V 50Hz CEE7/7,
230V 50Hz SEV1011

Hall Effect Max. Input Frequency 100 KHz

RPM Variable

RPM (maximum) 45

RPM (gradient) By %

The % sets the speed and is not 1 to 1 for RPM.

Maximum Altitude 6562 ft. (2000 m)

Maximum Viscosity 1500 Centipoise

Pulse Duration Required 10 milliseconds

Minimum duration required for pump to read signal.

Materials of Construction

All Housings Polycarbonate

Pump Tube & Check Valve Duckbill

Santoprene[®], optional Versilon[™], FDA approved

CV Duckbill with Versilon[™] Tube Pellathane[®]†

Pump Head Rollers Polyethylene

Roller Bushings Oil Impregnated sintered bronze

Suction/Discharge Tubing, Ferrules 1/4" & 6 mm
Polyethylene, FDA approved

Tube Fittings, Injection Fittings

Type 1 Rigid PVC or Polypropylene, NSF Listed

Connecting Nuts

Type 1 Rigid PVC or Polypropylene

3/8" Adapter Type 1 Rigid PVC, NSF Listed

Suction Line Strainer Polypropylene or Type 1
Rigid PVC body with Type 1 Rigid PVC Cap, NSF
listed; ceramic weight

All Fasteners Stainless steel

Pump Head Latches Polypropylene

Agency Listings

Models (Santoprene[®] only) tested by IAPMO to conform to ANSI/NSF STD 61 & 372.



THIS PUMP IS TESTED AND CERTIFIED BY IAPMO ACCORDING TO ANSI/NSF 61 FOR CONTACT WITH SODIUM HYPOCHLORITE AND WATER ONLY AND NSF/ANSI 372.



* Santoprene[®] is a registered trademark of Exxon Mobil Corporation.

** Versilon[™] is a registered trademark of Saint-Gobain Performance Plastics.

† Pellathane[®] is a registered trademark of The Dow Company.

S Series - Flow Rate Output Chart 25 psi (1.7 bar) maximum

Model	Item Number Prefix	Pump Tube	Turndown Ratio	Gallons per Day	Liters per Day	Gallons per Hour	Liters per Hour	Ounces per Hour	Milliliters per Hour	Ounces per Minute	Milliliters per Minute
S3003	S3003	3	100:1	0.40 to 40	1.51 to 151	0.017 to 1.67	0.063 to 6.31	2.13 to 213	63.09 to 6309	0.036 to 3.56	1.05 to 105
S3004	S3004	4	100:1	0.60 to 60	2.27 to 227	0.025 to 2.50	0.095 to 9.46	3.20 to 320	94.64 to 9464	0.053 to 5.33	1.58 to 158
S3005	S3005	5	100:1	0.85 to 85	3.22 to 322	0.035 to 3.54	0.134 to 13.41	4.53 to 453	134.07 to 13407	0.076 to 7.56	2.23 to 223
Approximate Output @ 50/60Hz											

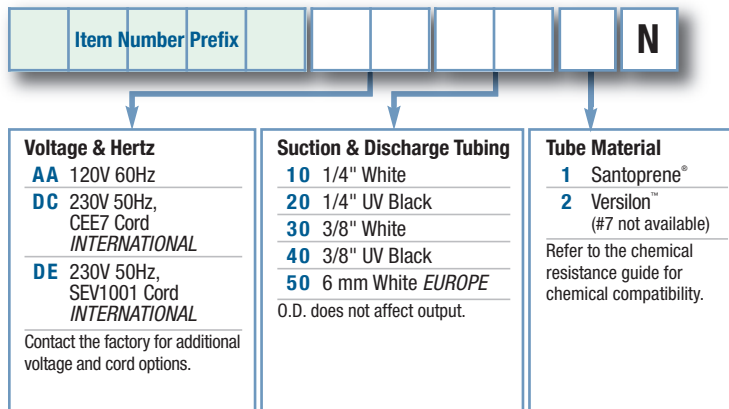
S Series - Flow Rate Output Chart 100 psi (6.9 bar) maximum

Model	Item Number Prefix	Pump Tube	Turndown Ratio	Gallons per Day	Liters per Day	Gallons per Hour	Liters per Hour	Ounces per Hour	Milliliters per Hour	Ounces per Minute	Milliliters per Minute
S3001	S3001	1	100:1	0.05 to 5	0.19 to 19	0.002 to 0.21	0.008 to 0.79	0.27 to 27	7.89 to 789	0.004 to 0.44	0.13 to 13
S3002	S3002	2	100:1	0.17 to 17	0.64 to 64	0.007 to 0.71	0.027 to 2.68	0.91 to 91	26.81 to 2681	0.015 to 1.51	0.45 to 45
S3007	S3007	7	100:1	0.40 to 40	1.51 to 151	0.017 to 1.67	0.063 to 6.31	2.13 to 213	63.09 to 6309	0.036 to 3.56	1.05 to 105
Approximate Output @ 50/60Hz											

NOTE: Injection check valve included with pumps rated 100 psi (6.9 bar) maximum.

! NOTICE: The information within these charts is solely intended for use as a guide. The output data is an approximation based on pumping water under a controlled testing environment. Many variables can affect the output of the pump. Stenner Pump Company recommends that all metering pumps undergo field calibration by means of analytical testing to confirm their outputs.

Item Number Builder



How to build an Item Number

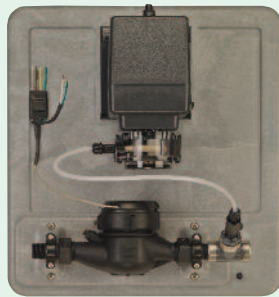
1. Refer to above **Flow Rate Output Chart** to select a pump.
2. Select the **Item Number Prefix** from the output chart.
3. Select the remaining options to complete the item number.



M128



Potentiometer



M128 Meter System



M128 Tank System

Quick Facts

- Potentiometer with adjustable pulse rate
1, 2, 4, 10 ppg (10 ppg in M07 model only) or 1 ppl
- Standby setting
- Internal relay

M05

- 8.4 oz/min, pressures to 25 psi

M07

- 3.5 oz/min, pressures to 100 psi

Activated by a Pulse Water Meter

The M128 is actuated by a dry contact, pulse water meter to automatically inject solution proportional to the water flow at a rate of 1 ounce of solution to 128 ounces of process water. The pump accepts meter rates of 1, 2, 4 or 10 pulses per gallon or 1 pulse per liter. The meter rates are adjusted with the pump's potentiometer. The standby setting can stop the pump from injecting when it receives a signal. The internal relay feature allows the water meter to send a signal, if the pump is in standby mode.

1:128 Injection for Livestock Water Treatment

The M128, also referred to as a medicator, doses solution at a 1:128 ratio to inject livestock water with sanitizers, disinfectants, nutrients and medication. Featuring an internal relay, the pump has a cable with four lead wires; two are connected to the water meter. For installations with a house controller, the two remaining wires are connected to the controller to register water consumption. If the pump is placed in standby, the internal relay allows the pulse meter to continue to register water consumption with the house controller.

M128 Meter System or Tank System

For convenient and quick installations or turnkey operations, the M128 Meter System is equipped with the pump and corresponding dry contact 3/4" or 1" water meter mounted on a heavy duty panel. The plastic water meter is certified with WQA under ANSI/NSF 372 for low lead.

The pre-packaged tank system is equipped with the pump mounted to a 7.5, 15 or 30 gallon capacity tank. Select UV Gray for outdoor installations or translucent white.

Features

- Advantages of Stenner peristaltic pumps on page 1
- Fast tube replacement without tools with patent pending QuickPro® pump head
- A water bypass is not needed; there is no water restriction or pressure loss
- No need for back pressure valves and filters upstream to pull out grit, sand and debris
- Solution is not in contact with moving parts

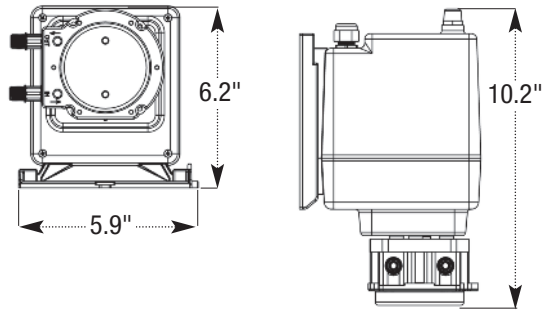
Weights and Dimensions

M128 Pump

Shipping Weight 10 lbs (4.5 kg)

Box Dimensions 14 x 9 x 9 in. (35 x 23 x 23 cm)

Product Dimensions



M128 Meter System

Shipping Weight 21 lbs (9.5 kg)

Box Dimensions 24 x 23 x 12 in. (61 x 58 x 30 cm)

Accessory Kit Shipped with Each Pump

- 3 Connecting nuts 1/4"
- 3 Ferrules 1/4"
- 1 Injection check valve 100 psi (6.9 bar) OR
1 injection fitting 25 psi (1.7 bar)
- 1 Weighted suction line strainer 1/4"
- 1 20' Roll suction/discharge tubing 1/4"
- 1 Additional pump tube
- 2 Additional latches
- 1 Mounting bracket
- 1 Manual

Specifications

Flow Rate Output Control

Fixed output, interfaces with water meter

Maximum Operating Temperature 104°F (40°C)

Maximum Suction Lift

25 ft (7.6 m) vertical lift, based on water

Motor Type 24VDC, 2.0 A, Brushed DC, 1/30 HP

Duty Cycle Continuous

Shaft rpm 55

Motor Voltage (Amp Draw)

120V 60Hz 1PH (0.5)

220V 60Hz 1PH (0.33)

Power Cord Type SJTOW

Power Cord Plug End

120V 60Hz NEMA 5/15

220V 60Hz NEMA 6/1

Materials of Construction

All Housings Polycarbonate

Pump Tube & Check Valve Duckbill

Santoprene®, FDA approved

Pump Head Rollers HDPE

Roller Bushings Oil impregnated sintered bronze

Suction/Discharge Tubing, Ferrules 1/4"

Polyethylene, FDA approved

Tube Fittings, Check Valve Fittings

Black fittings: PP, NSF listed

Connecting Nuts PP or Type 1 Rigid PVC

Suction Line Strainer PP or Type 1 Rigid PVC body with Type 1 Rigid PVC cap, NSF listed; ceramic weight

All Fasteners Stainless steel

Pump Head Latches Polypropylene

Agency Listings



* Santoprene® is a registered trademark of Exxon Mobil Corporation.

M128 SERIES

M128 - Flow Rate Output Chart 0-25 psi (0-1.7 bar)

Model	Item Number Prefix	Pump Tube	Ounces per Minute	Gallons per Hour	Gallons per Day	Milliliters per Minute	Liters per Hour	Liters per Day
M05	M05	5	8.4	3.9	95.0	249.7	14.9	359.6
Approximate Maximum Output @ 50/60Hz								

Maximum system water flow for 1:128 dosing is 8.4 gallons/minute or 31.8 liters/minute.

M128 - Flow Rate Output Chart 26-100 psi (1.8-6.9 bar)

Model	Item Number Prefix	Pump Tube	Ounces per Minute	Gallons per Hour	Gallons per Day	Milliliters per Minute	Liters per Hour	Liters per Day
M07	M07	7	3.5	1.6	40.0	105	6.3	151.4
Approximate Maximum Output @ 50/60Hz								

Maximum system water flow for 1:128 dosing is 3.5 gallons/minute or 13.2 liters/minute.

Alternative Sizing for M07 Model using 1 pulse/gallon meter

Dosage oz/gal	Dosage Ratio	Max. System Water Flow gal/min	Pulse Setting
1.0	1:128	3.5	1
0.50	1:256	7.0	2
0.25	1:512	14.0	4

NOTE: 1 oz = 29.57 ml ; 1 gallon = 3.78 liters. Contact factory for assistance with sizing.

NOTE: Injection check valve included with pumps rated 26-100 psi (1.8-6.9 bar).

NOTICE: The information within these charts is solely intended for use as a guide. The output data is an approximation based on pumping water under a controlled testing environment. Many variables can affect the output of the pump. Stenner Pump Company recommends that all metering pumps undergo field calibration by means of analytical testing to confirm their outputs.

Item Number Builder

Item Number Prefix

Omit if not ordering Meter System

Omit if not ordering Tank System

Voltage & Hertz

1 120V 60Hz

2 220V 60Hz

Meter System Panel

341P 3/4" 1 pulse/gallon

342P 3/4" 2 pulses/gallon

344P 3/4" 4 pulses/gallon

011P 1" 1 pulse/gallon

012P 1" 2 pulses/gallon

014P 1" 4 pulses/gallon

Tank System

7G 7.5-Gallon UV Gray

7N 7.5-Gallon White

1G 15-Gallon UV Gray

1N 15-Gallon White

3G 30-Gallon UV Gray

3N 30-Gallon White

Tanks also sold separately on page 35.

How to build an Item Number

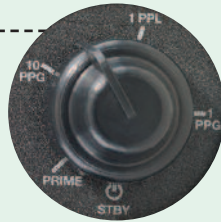
1. Refer to above **Flow Rate Output Chart** to select a pump.
2. Select the **Item Number Prefix** from the output chart.
3. Select the remaining options to complete the item number.

Tank System and Meter System are two separate systems and are not sold as one.

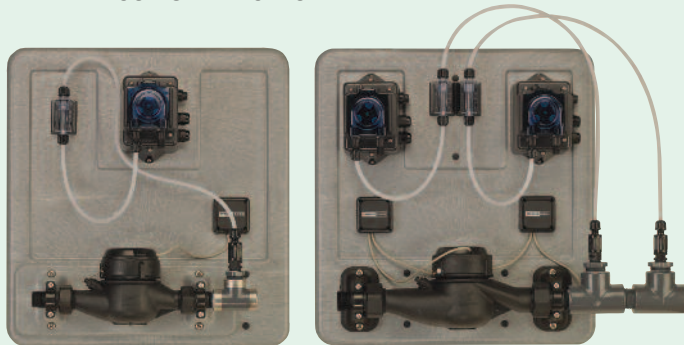
NOTE: M128 includes 1/4" white suction/discharge tubing only.



ECON STENNICATOR



Pulse Dial



ECON STENNICATOR Meter Systems - Single and Dual



ECON Tank System

**WATCH
ANIMATED VIDEO**
of the Stennicator on
a poultry farm
www.stenner.com

Stennicator Meter System or Tank System

For convenient and quick installations or turnkey operations, the Stennicator Meter System is equipped with the pump and corresponding dry contact 3/4" or 1" water meter mounted on a heavy duty panel.

The pre-packaged tank system is equipped with the pump mounted to a 7.5, 15 or 30 gallon capacity tank. Select UV Gray for outdoor installations or translucent white.

Quick Facts

- 2.7 ounces per minute, pressures to 80 psi
- 1 or 10 ppg and 1 ppl water meter pulse settings
- Internal relay
- Standby setting
- Wall adapter power supply

Compact and Water Meter Activated

The Econ Stennicator injects product at a fixed ratio of 1:128. The pulse from the water meter activates the pump at a fixed run time to deliver the proper dosage. The pump has three pulse settings, adjustable with a potentiometer, to accommodate 1 or 10 pulses per gallon or 1 pulse per liter. The pump's internal relay feature can repeat the incoming meter signal to another Stennicator, controller or other device. Additional features include an on/off switch, prime and a standby setting.

Not a Traditional Medicator for Livestock Water

The Stennicator, Stenner's peristaltic medicator, is not a typical 1:128 water driven proportional pump. The pump injects directly in to the water line eliminating a water bypass that can restrict water flow to the drinker lines. Poor water quality, scale and solids are not harmful to the pump. The Stennicator is compact with a small footprint and can adapt to an existing pulse water meter. If utilizing a house controller, the pump's internal relay feature allows the water meter to send the signal to the controller to register the water consumption. The pump can accurately inject or be placed in standby, without interrupting the water meter signal.

Features

- Advantages of Stenner peristaltic pumps on page 1
- Effortless tube replacement without tools
- Activate multiple pumps from one meter
- No water restriction or pressure loss
- On/off switch
- Brushless motor
- Enclosed housing
- cULus for indoor/outdoor use

ECON STENNICATOR

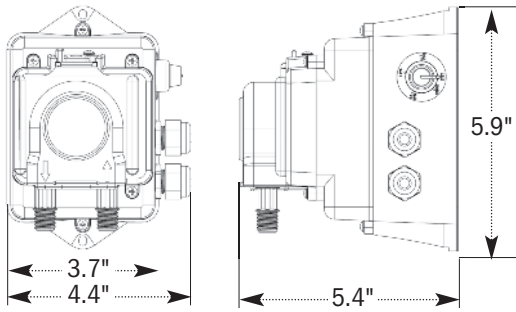
Weights and Dimensions

Pump

Shipping Weight 4 lbs (1.8 kg)

Box Dimensions 8 x 7 x 10 in. (20 x 18 x 25 cm)

Product Dimensions



Accessory Kit Shipped with Each Pump

- 3 Connecting nuts 1/4"
- 3 Ferrules 1/4"
- 1 Injection check valve
- 1 Weighted suction line strainer 1/4"
- 1 20' Roll suction/discharge tubing 1/4" white
- 1 Additional pump tube
- 1 Manual

Meter System Panel

METER SYSTEM	SHIPPING WEIGHT	BOX DIMENSIONS
Single	17 lbs (7.7 kg)	24 x 23 x 12 in. (61 x 58 x 30 cm)
Dual	20 lbs (9.1 kg)	

Specifications

Flow Rate Output Control

On/off switch, fixed output

Reproducibility ±2%

Maximum Working Pressure 80 psi (5.5 bar)

Maximum Operating Temperature 104°F (40°C)

Maximum Suction Lift

25 ft (7.6 m) vertical lift, based on water

Motor Type 24VDC, brushless

Shaft rpm 60

Duty Cycle Continuous

Max Viscosity 50 Centipoise

Motor Voltage (Amp Draw) 120V 60Hz (0.17)

External Power Supply 100-120VAC, 60Hz

Power Cord Type STP-2W

Power Cord Length 10 ft (3.05 m)

Power Cord Plug End

Wall adapter power supply 100-120V, 60Hz,
0.75A input, two prong, polarized 24VDC, 1.25A,
Class II output

Classification Indoor/Outdoor

Materials of Construction

All Housings Polycarbonate

Pump Tube & Check Valve Duckbill

Santoprene®, FDA approved

Pump Head Rollers Polyethylene

Suction/Discharge Tubing, Ferrules

Polyethylene, FDA approved

Tube Fittings Polypropylene, NSF listed

Check Valve Fittings

Type 1 Rigid PVC, NSF listed

Connecting Nuts PP or Type 1 Rigid PVC

Suction Line Strainer PP or Type 1 Rigid PVC

body with Type 1 Rigid PVC cap, NSF listed;
ceramic weight

All Fasteners Stainless steel

Agency Listings



* Santoprene® is a registered trademark of Exxon Mobil Corporation.

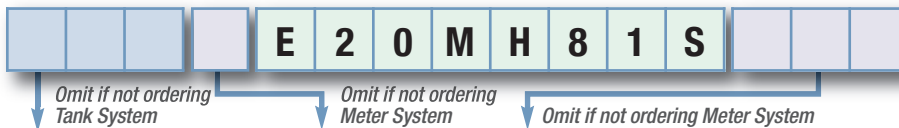
ECON STENNICATOR Flow Rate Output Chart 80 psi (5.5 bar) maximum

Item Number Prefix	Pump Tube	Roller Assembly	Ounces per Minute	Milliliters per Minute
E20MH81S	H	Black	2.7	74.0
Approximate Maximum Output @ 50/60Hz				

NOTE: Injection check valve included.

! NOTICE: The information within this chart is solely intended for use as a guide. The output data is an approximation based on pumping water under a controlled testing environment. Many variables can affect the output of the pump. Stenner Pump Company recommends that all metering pumps undergo field calibration by means of analytical testing to confirm their outputs.

Item Number Builder



Omit if not ordering Tank System

Tank System	
S7G	7.5-Gallon UV Gray
S7N	7.5-Gallon White
S1G	15-Gallon UV Gray
S1N	15-Gallon White
S3G	30-Gallon UV Gray
S3N	30-Gallon White
Tanks also sold separately on page 35.	

Omit if not ordering Meter System

System	
S	Single
D	Dual

Omit if not ordering Meter System

Meter System Panel	
341	3/4" 1 pulse/gallon
340	3/4" 10 pulses/gallon
34L	3/4" 1 pulse/liter
010	1" 10 pulses/gallon
011	1" 1 pulse/gallon
01L	1", 1 pulse/liter

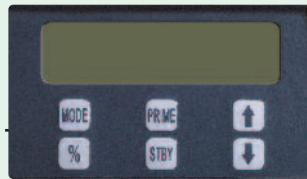
How to build an Item Number

1. Refer to above **Flow Rate Output Chart** to select a pump.
2. Select the **Item Number Prefix** from the output chart.
3. Select the remaining options to complete the item number.

Tank System and Meter System are two separate systems and are not sold as one.



ECON INTEGRATOR™



Control Panel



ECON INTEGRATOR™ Meter System



ECON Tank System

Quick Facts

- 4.5, 16.0, 30.0 gpd, pressures to 80 psi
- Digital keypad with LCD display
- 10:1 turndown, 1% increments
- Flow activated with internal relay
- Wall adapter power supply

Proportional Pump with Internal Relay Feature

The Econ Integrator™ is a flow activated pump featuring three operational modes and an internal relay. The relay provides a dry contact output signal replicating the signal the pump receives. The signal output can control another device that accepts a dry contact signal such as another Econ Integrator™. Multiple pumps can be activated by one water meter. The relay is operable in the Seconds or Flow Switch mode.

In livestock operations, the relay is especially useful when an existing water meter is utilized to tally water consumption to a controller. The relay allows the meter to send a signal to the pump and to the controller; eliminating the need for another meter. The signal can be sent if the pump is operating or in standby.

Econ Integrator™ Meter System or Tank System

For convenient and quick installations or turnkey operations, the Econ Integrator™ Meter System is equipped with the pump and corresponding dry contact 3/4" or 1" water meter mounted on a heavy duty panel.

The pre-packaged tank system is equipped with the pump mounted to a 7.5, 15 or 30 gallon capacity tank. Select UV Gray for outdoor installations or translucent white.

Features

- Advantages of Stenner peristaltic pumps on page 1
- Effortless tube replacement without tools
- Patented quick release pump head
- Enclosed housing
- Wall mountable
- Optional mounting accessories available
- cULus for indoor/outdoor use
- NSF 61 & 372

Three Operating Modes

The control panel displays the operational modes: Seconds, Flow Switch or Auxiliary.

SECONDS: The pump can accept a dry (non-voltage) contact signal and will run for a set **time** in response to receiving the signal. There are five pump operating time ranges; the maximum time is displayed on the control panel. The run time is adjustable from 10% to 100% in 1% increments.

1 second = 0.1-1.0 5 seconds = 0.5-5.0 10 seconds = 1.0-10.0
20 seconds = 2.0-20.0 60 seconds = 6.0-60.0

FLOW SWITCH: The pump can accept a dry (non-voltage) contact signal from a 2 wire flow switch and will run at the set **speed** as long as it receives the dry contact. The pump speed is adjustable from 10% to 100% in 1% increments.

AUXILIARY: The pump can accept a 12-24 VAC/VDC signal from control equipment that responds to flow and will run at a set **speed** for as long as it receives the signal. The pump speed is adjustable from 10% to 100% in 1% increments. The internal relay does not work with a 12-24 VAC/VDC signal.

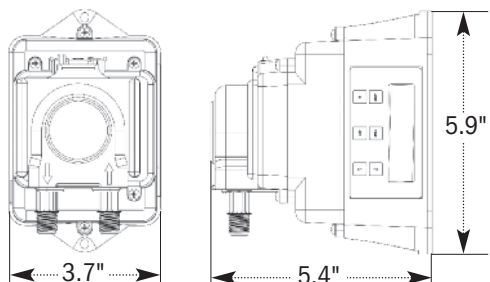
Weights and Dimensions

Pump

Shipping Weight 4 lbs (1.8 kg)

Box Dimensions 8 x 7 x 10 in. (20 x 18 x 25 cm)

Product Dimensions



Meter System

Shipping Weight 17 lbs (7.7 kg)

Box Dimensions 24 x 23 x 12 in. (61 x 58 x 30 cm)

Accessory Kit Shipped with Each Pump

- 3 Connecting nuts 1/4"
- 3 Ferrules 1/4" or 6 mm *EUROPE*
- 1 Injection check valve
- 1 Weighted suction line strainer 1/4"
- 1 20' Roll suction/discharge tubing 1/4" white or UV black
OR 6 mm white *EUROPE*
- 1 Additional pump tube
- 1 Manual

Specifications

Flow Rate Output Control

Six button control panel with LCD display

Reproducibility $\pm 2\%$

Maximum Working Pressure 80 psi (5.5 bar)

Maximum Operating Temperature 104°F (40°C)

Maximum Suction Lift

25 ft (7.6 m) vertical lift, based on water

Motor Type 24VDC, brushless

Shaft rpm 60

Duty Cycle Continuous

Motor Voltage (Amp Draw)

120V 60Hz (0.17)

External Power Supply

100-120VAC, 60Hz

Power Cord Type STP-2W

Power Cord Plug End

Wall adapter power supply 100-120V, 60Hz 0.75A input, two prong, polarized 24VDC, 1.25A, Class II output

Classification Indoor/Outdoor

Materials of Construction

All Housings Polycarbonate

Pump Tube & Check Valve Duckbill Santoprene®, FDA approved

Pump Head Rollers Polyethylene

Suction/Discharge Tubing, Ferrules

Polyethylene, FDA approved

Tube Fittings Polypropylene, NSF listed

Check Valve Fittings

Type 1 Rigid PVC, NSF listed

Connecting Nuts PP or Type 1 Rigid PVC

Suction Line Strainer PP or Type 1 Rigid PVC body with Type 1 Rigid PVC cap, NSF listed; ceramic weight

All Fasteners Stainless steel

Agency Listings



* Santoprene® is a registered trademark of Exxon Mobil Corporation.

ECON INTEGRATOR™ SERIES

ECON INTEGRATOR™ - Flow Rate Output Chart 80 psi (5.5 bar) maximum

Item Number Prefix	Pump Tube	Roller Assembly	Turndown Ratio	Gallons per Day	Gallons per Hour	Ounces per Hour	Ounces per Minute	Liters per Day	Liters per Hour	Milliliters per Hour	Milliliters per Minute
E2ORHF	F	White	10:1	4.5	0.19	24.0	0.40	17.01	0.71	708.8	11.8
E2ORHG	G	Black	10:1	16.0	0.67	85.3	1.42	60.48	2.52	2520.0	42.0
E2ORHH	H	Black	10:1	30.0	1.25	160.0	2.67	113.40	4.73	4725.0	78.8

Approximate Maximum Output @ 50/60Hz

NOTE: Injection check valve included.

NOTICE: The information within this chart is solely intended for use as a guide. The output data is an approximation based on pumping water under a controlled testing environment. Many variables can affect the output of the pump. Stenner Pump Company recommends that all metering pumps undergo field calibration by means of analytical testing to confirm their outputs.

Item Number Builder

Item Number Prefix

S

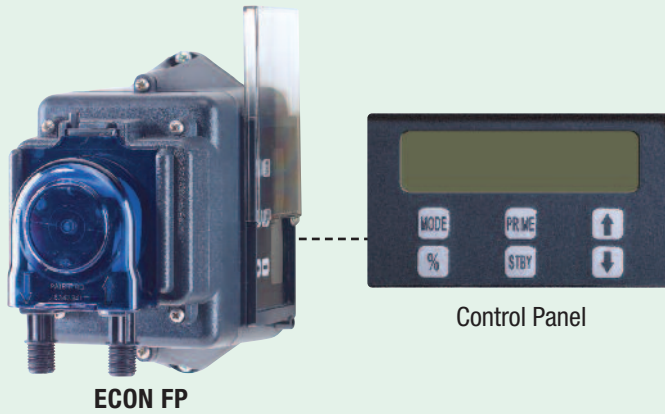
Omit if not ordering Tank System
Omit if not ordering Meter System

Tank System	Voltage & Hertz	Suction & Discharge Tubing	Tube Material	Meter System Panel
S7G 7.5-Gallon UV Gray S7N 7.5-Gallon White S1G 15-Gallon UV Gray S1N 15-Gallon White S3G 30-Gallon UV Gray S3N 30-Gallon White <small>Tanks also sold separately on page 35.</small>	7 120V 60Hz; 6' cord 8 120V 60 Hz; 10' cord	1 1/4" White 2 1/4" UV Black	S Santoprene® <small>NOTE: Refer to the chemical resistance guide for chemical compatibility.</small>	71 3/4" 1 pulse/gallon 72 3/4" 2 pulses/gallon 74 3/4" 4 pulses/gallon 11 1" 1 pulse/gallon 12 1" 2 pulses/gallon 14 1" 4 pulses/gallon

How to build an Item Number

1. Refer to above **Flow Rate Output Chart** to select a pump.
2. Select the **Item Number Prefix** from the output chart.
3. Select the remaining options to complete the item number.

Tank System and Meter System are two separate systems and are not sold as one.



ECON FP

Control Panel



ECON FP Meter System



ECON Tank System

Three Operating Modes

SECONDS: The pump can accept a dry (non-voltage) contact signal and will run for a set **time** in response to receiving the signal. There are five pump operating time ranges; the maximum time is displayed on the control panel. The run time is adjustable from 10% to 100% in 1% increments.
 1 second = 0.1-1.0 5 seconds = 0.5-5.0 10 seconds = 1.0-10.0
 20 seconds = 2.0-20.0 60 seconds = 6.0-60.0

FLOW SWITCH: The pump can accept a dry (non-voltage) contact signal from a 2 wire flow switch and will run at the set **speed** as long as it receives the dry contact. The pump speed is adjustable from 10% to 100% in 1% increments.

AUXILIARY: The pump can accept a 12-24 VAC/VDC signal from control equipment that responds to flow and will run at a set **speed** for as long as it receives the signal. The pump speed is adjustable from 10% to 100% in 1% increments.

Quick Facts

- 4.5, 16.0, 30.0 gpd, pressures to 80 psi
- Digital keypad with LCD display
- 10:1 turndown, 1% increments
- Wall adapter power supply

Multi-Functional, Flow Activated

The Econ FP is flow activated and offers a choice of three operational modes all in one pump. The pump can accept a dry contact signal or a 12-24 VAC/VDC signal from control equipment that responds to flow. Based on the mode of operation selected, the pump runs at a set time or a set speed in response to receiving a signal. The control panel displays one of three operating modes: Seconds, Flow Switch or Auxiliary. The pump is designed for light duty applications such as drinking water disinfection or pH adjustment for private water wells in homes or farms.

Econ FP Meter System or Tank System

For convenient and quick installations or turnkey operations, the Econ FP Meter System is equipped with the pump and corresponding dry contact 3/4" or 1" water meter mounted on a heavy duty panel.

The pre-packaged tank system is equipped with the pump mounted to a 7.5, 15 or 30 gallon capacity tank. Select UV Gray for outdoor installations or translucent white.

Features

- Advantages of Stenner peristaltic pumps on page 1
- Patented quick release pump head
- Effortless tube replacement without tools
- Enclosed housing
- Solid one piece tube construction
- Wall mountable
- Optional mounting accessories available
- cULus for indoor/outdoor use
- NSF 61 & 372
- CE listed, varies by model

ECON FP SERIES

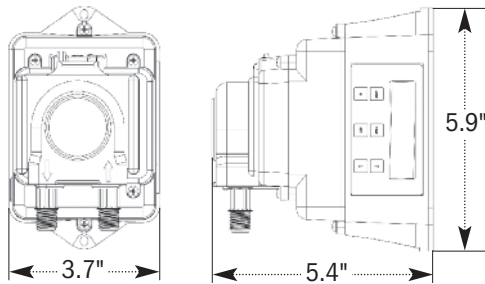
Weights and Dimensions

Pump

Shipping Weight 4 lbs (1.8 kg)

Box Dimensions 8 x 7 x 10 in. (20 x 18 x 25 cm)

Product Dimensions



Meter System

Shipping Weight 17 lbs (7.7 kg)

Box Dimensions 24 x 23 x 12 in. (61 x 58 x 30 cm)

Accessory Kit Shipped with Each Pump

- 3 Connecting nuts 1/4"
- 3 Ferrules 1/4" or 6 mm *EUROPE*
- 1 Injection check valve
- 1 Weighted suction line strainer 1/4"
- 1 20' Roll suction/discharge tubing 1/4" white or UV black
OR 6 mm white *EUROPE*
- 1 Additional pump tube
- 1 Manual

Specifications

Flow Rate Output Control

Six button control panel with LCD display

Reproducibility $\pm 2\%$

Maximum Working Pressure 80 psi (5.5 bar)

Maximum Operating Temperature 104°F (40°C)

Maximum Suction Lift

25 ft (7.6 m) vertical lift, based on water

Motor Type 24VDC, brushless

Shaft rpm 60

Duty Cycle Continuous

Motor Voltage (Amp Draw) 120V 60Hz (0.17)

Motor Voltage (Watts) 240V 50Hz (10)

External Power Supply 100-120V, 60Hz

Power Cord Type STP-2W

Power Cord Length

6 ft (1.83 m)

10 ft (3.05 m)

Power Cord Plug End

Wall adapter power supply 100-120V, 60Hz,
0.75A input, two prong, polarized 24VDC, 1.25A,
Class II output

Classification Indoor/Outdoor

Materials of Construction

All Housings Polycarbonate

Pump Tube & Check Valve Duckbill

Santoprene®, FDA approved

Pump Head Rollers Polyethylene

Suction/Discharge Tubing, Ferrules

Polyethylene, FDA approved

Tube Fittings Polypropylene, NSF listed

Check Valve Fittings

Type 1 Rigid PVC, NSF listed

Connecting Nuts PP or Type 1 Rigid PVC

Suction Line Strainer PP or Type 1 Rigid PVC

body with Type 1 Rigid PVC cap, NSF listed;
ceramic weight

All Fasteners Stainless steel

Agency Listings



THIS PUMP IS TESTED AND
CERTIFIED BY UL ACCORDING TO
ANSI/NSF 61 FOR CONTACT WITH
SODIUM HYPOCHLORITE AND
WATER ONLY AND ANSI/NSF 572.



IP44

* Santoprene® is a registered trademark of
Exxon Mobil Corporation.

ECON FP - Flow Rate Output Chart 80 psi (5.5 bar) maximum

Item Number Prefix	Pump Tube	Roller Assembly	Turndown Ratio	Gallons per Day	Gallons per Hour	Ounces per Hour	Ounces per Minute	Liters per Day	Liters per Hour	Milliliters per Hour	Milliliters per Minute
E20PHF	F	White	10:1	4.5	0.19	24.0	0.40	17.01	0.71	708.8	11.8
E20PHG	G	Black	10:1	16.0	0.67	85.3	1.42	60.48	2.52	2520.0	42.0
E20PHH	H	Black	10:1	30.0	1.25	160.0	2.67	113.40	4.73	4725.0	78.8

Approximate Maximum Output @ 50/60Hz

NOTE: Injection check valve included.

! NOTICE: The information within this chart is solely intended for use as a guide. The output data is an approximation based on pumping water under a controlled testing environment. Many variables can affect the output of the pump. Stenner Pump Company recommends that all metering pumps undergo field calibration by means of analytical testing to confirm their outputs.

Item Number Builder

S

Omit if not ordering
Tank System

Omit if not ordering Meter System

Tank System	Voltage & Hertz	Suction & Discharge Tubing	Tube Material	Meter System Panel*
S7G 7.5-Gallon UV Gray	7 120V 60Hz; 6' cord	1 1/4" White	S Santoprene® <small>NOTE: Refer to the chemical resistance guide for chemical compatibility.</small>	71 3/4" 1 pulse/gallon
S7N 7.5-Gallon White	8 120V 60Hz; 10' cord	2 1/4" UV Black		72 3/4" 2 pulses/gallon
S1G 15-Gallon UV Gray	9 240V 50Hz; 6' cord, CE plug	5 6 mm White <i>EUROPE</i>		74 3/4" 4 pulses/gallon
S1N 15-Gallon White		<small>O.D. does not affect output.</small>		11 1" 1 pulse/gallon
S3G 30-Gallon UV Gray				12 1" 2 pulses/gallon
S3N 30-Gallon White			14 1" 4 pulses/gallon	

Tanks also sold separately on page 35.

How to build an Item Number

1. Refer to above **Flow Rate Output Chart** to select a pump.
2. Select the **Item Number Prefix** from the output chart.
3. Select the remaining options to complete the item number.

Tank System and Meter System are two separate systems and are not sold as one.



Quick Facts

- 2.5-15.0 gpd, pressures to 25 psi
- 0.6-21.7 gpd, pressures to 80 psi
- Digital keypad with LCD display
- Adjustable run time per event
- Wall adapter power supply

Automatic Dosing Control for Timed Applications

The Econ T provides automatic injection and offers flexibility with the dosing schedule for a variety of timed applications. The pump has a 24 hour / 7 day integral timer and is programmed with the digital control pad. The control pad has display indicators for the days of the week, the operating mode and the timers (events). The pump is programmed with the Day, Hour, Minute, Clock, Manual and Timer buttons on the control pad.

Some examples of applications are enzyme injection for drain line maintenance and biocide feed for small cooling towers or water fountains. For installation convenience, the Econ T is available as a Tank System, shipped from the factory with the pump pre-mounted to the tank.

How It Works

The Econ T has 24 independent programmable on and off events within a 7 day period. Each event can be programmed for a specific On time and specific Off time for each selected day or days of the week. Each timer can be set in hour and minute increments. The programmable clock uses a 24 hour format. A battery is included as a back-up to power loss, to maintain the internal time and programmed event settings. When the pump is operating, the screen displays the current day, time of day, and the mode of operation.

Features

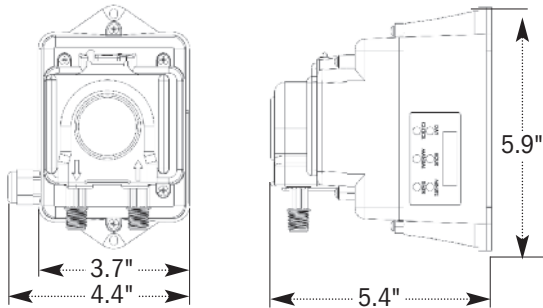
- Advantages of Stenner peristaltic pumps on page 1
- Patented quick release pump head
- Effortless tube replacement without tools
- Enclosed housing
- Wall mountable
- Optional mounting accessories available
- cULus for indoor/outdoor use
- NSF 61 & 372
- NSF 50 (25 psi models only)
- CE listed, varies by model

Weights and Dimensions

Shipping Weight 4 lbs (1.8 kg)

Box Dimensions 8 x 7 x 10 in. (20 x 18 x 25 cm)

Product Dimensions



Accessory Kit Shipped with Each Pump

- 3 Connecting nuts 1/4"
- 3 Ferrules 1/4" or 6 mm *EUROPE*
- 1 Injection check valve 80 psi (5.5 bar)
OR 1 injection fitting 25 psi (1.7 bar)
- 1 Weighted suction line strainer 1/4"
- 1 20' Roll suction/discharge tubing 1/4" white or UV black
OR 6 mm white *EUROPE*
- 1 Additional pump tube
- 1 Manual

Specifications

Flow Rate Output Control

24-hr programmable clock; 7 day, 24 event timer

Reproducibility $\pm 5\%$

Maximum Working Pressure

80 psi (5.5 bar) and 25 psi (1.7 bar)

Maximum Operating Temperature 104°F (40°C)

Maximum Suction Lift

25 ft (7.6 m) vertical lift, based on water

Motor Type 24VDC, brushed

Shaft rpm 9, 18 or 40

Duty Cycle Continuous

Motor Voltage (Amp Draw) 120V 60Hz (0.17)

Motor Voltage (Watts) 240V 50Hz (10)

External Power Supply

100-120V, 60Hz

Power Cord Type STP-2W

Power Cord Plug End

Wall adapter power supply 100-120V, 60Hz, 0.75A input, two prong, polarized 24VDC, 1.25A, Class II output

Classification Indoor/Outdoor

Materials of Construction

All Housings Polycarbonate

Pump Tube & Check Valve Duckbill

Santoprene®, FDA approved

Pump Head Rollers Polyethylene

Suction/Discharge Tubing, Ferrules

Polyethylene, FDA approved

Tube Fittings Polypropylene, NSF listed

Check Valve Fittings

Type 1 Rigid PVC, NSF listed

Connecting Nuts PP or Type 1 Rigid PVC

Suction Line Strainer PP or Type 1 Rigid PVC body with Type 1 Rigid PVC cap, NSF listed; ceramic weight

All Fasteners Stainless steel

Agency Listings

25 psi models tested and certified by Intertek to Standard ANSI/NSF 50, Equipment for Swimming Pools, Spas, Hot Tubs, and Other Recreational Water Facilities.



Listings vary by model

* Santoprene® is a registered trademark of Exxon Mobil Corporation.

ECON T SERIES

ECON T - Flow Rate Output Chart 25 psi (1.7 bar) maximum

Item Number Prefix	Pump Tube	Roller Assembly	Gallons per Day	Gallons per Hour	Ounces per Hour	Ounces per Minute	Pressure psi	Liters per Day	Liters per Hour	Milliliters per Hour	Milliliters per Minute	Pressure bar
E10T1A	A	White	2.5	0.10	13.2	0.22	25	9.5	0.39	396.0	6.60	1.7
E10T2A	A	White	5.0	0.21	26.4	0.44	25	18.9	0.79	786.0	13.10	1.7
E10T2B	B	White	8.5	0.35	45.6	0.76	25	32.2	1.34	1338.0	22.30	1.7
E10T2C	C	White	15.0	0.63	79.8	1.33	25	56.8	2.37	2364.0	39.40	1.7

Approximate Maximum Output @ 50/60Hz

ECON T - Flow Rate Output Chart 80 psi (5.5 bar) maximum

Item Number Prefix	Pump Tube	Roller Assembly	Gallons per Day	Gallons per Hour	Ounces per Hour	Ounces per Minute	Pressure psi	Liters per Day	Liters per Hour	Milliliters per Hour	Milliliters per Minute	Pressure bar
E10T1F	F	White	0.6	0.02	3.0	0.05	80	2.2	0.09	90.0	1.50	5.5
E10T2F	F	White	1.3	0.05	6.6	0.11	80	4.8	0.20	198.0	3.30	5.5
E20T4F	F	White	3.4	0.14	18.0	0.30	80	13.1	0.54	544.8	9.08	5.5
E20T4G	G	Black	12.3	0.51	65.4	1.09	80	46.5	1.94	1937.4	32.29	5.5
E20T4H	H	Black	21.7	0.90	115.2	1.92	80	82.0	3.41	3416.4	56.94	5.5

Approximate Maximum Output @ 50/60Hz

NOTE: Injection check valve included with pumps rated 80 psi (5.5 bar).

! NOTICE: The information within these charts is solely intended for use as a guide. The output data is an approximation based on pumping water under a controlled testing environment. Many variables can affect the output of the pump. Stenner Pump Company recommends that all metering pumps undergo field calibration by means of analytical testing to confirm their outputs.

Item Number Builder

S

Item Number Prefix

Omit if not ordering Tank System

Tank System

S7G 7.5-Gallon UV Gray

S7N 7.5-Gallon White

S1G 15-Gallon UV Gray

S1N 15-Gallon White

S3G 30-Gallon UV Gray

S3N 30-Gallon White

Tanks also sold separately on page 35.

Voltage & Hertz

7 120V 60Hz; 6' cord

8 120V 60Hz; 10' cord

9 240V 50Hz; 6' cord, CE plug

Suction & Discharge Tubing

1 1/4" White

2 1/4" UV Black

5 6 mm White EUROPE

O.D. does not affect output.

Tube Material

S Santoprene®

NOTE: Refer to the chemical resistance guide for chemical compatibility.

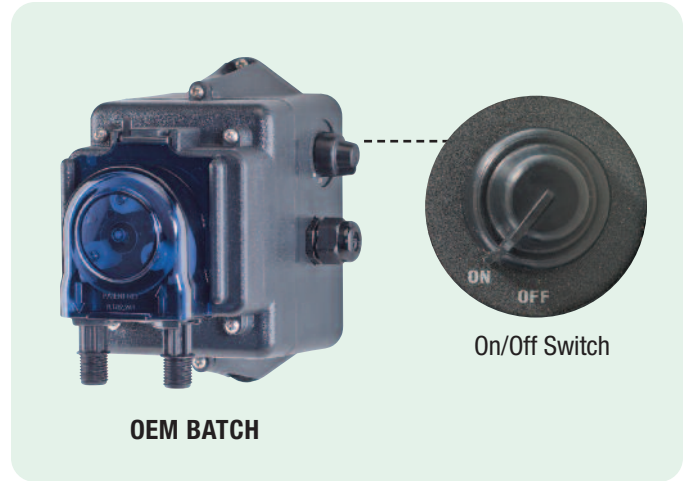
How to build an Item Number

- Refer to above **Flow Rate Output Chart** to select a pump.
- Select the **Item Number Prefix** from the output chart.
- Select the remaining options to complete the item number.



Stenner's custom OEM pump can be designed with the customer's supplied motor and gearbox. A standard OEM bracket is provided, or a custom bracket can be designed. The pump is offered with a brushless or brushed DC motor, and as an open or enclosed version.

Enclosed versions offer an optional internal power supply and customizable power cord for 100-240VAC, 50/60Hz. The customer selects the fixed output from ranges of 0.04 ounces per hour to 2.08 gallons per hour, up to 80 psi (1.3 milliliters per hour to 7.88 liters per hour, up to 5.5 bar).



The custom OEM batch pump is factory programmed to run a specific length of time when manually activated by an integral switch or can be designed to activate with an input signal. The customer selects the pump run time from 0.1 seconds to 24 hours per activations.

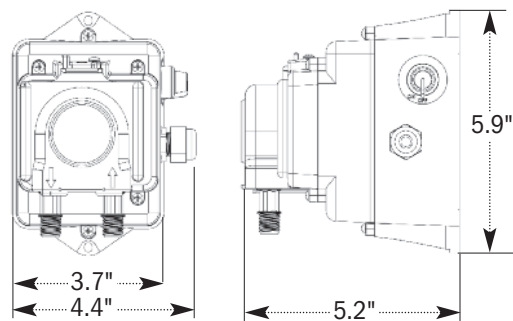
The pre-set fluid volume choices are up to 50 gallons per day, up to 80 psi (189.3 liters per day, up to 5.5 bar). The pump is supplied with a 24VDC brushless motor and a customizable power cord for 100-240VAC, 50/60Hz. The pump can also be supplied without an internal power supply.

Weights and Dimensions

Shipping Weight 4 lbs (1.8kg)

Box Dimensions 8 x 7 x 10 in. (20 x 18 x 25 cm)

Product Dimensions



Features

- Patented quick release pump head
- Anti-siphon 3 point roller design
- Indoor/Outdoor
- Select custom color
- Optional tube materials
- Dual bearing support output shaft
- Serviceable liquid end, gear train & motor
- Agency approvals available
- Voltage options

ECON LD SERIES



ECON LD



Potentiometer



ECON Tank System

Quick Facts

- 0.04-8.1 oz/hr, pressures to 80 psi
- Adjustable potentiometer
- 50:1 turndown

Accurate Low Volume Metering

The Econ LD is a precise, compact variable speed peristaltic pump designed for metering low volumes when reliability and accuracy are a must. Ideal for pumping flocculants, coagulants, sanitizers, and a variety of solutions. The quiet, long lasting brushless motor, in a totally enclosed housing, offers premium quality in a compact pump.

The design incorporates the latest microprocessor technology with a simple potentiometer control and on/off switch. The potentiometer has a 50:1 turndown offering a wide range of outputs. Adjusting the potentiometer clockwise gradually increases the pump speed to 100%. Turning the potentiometer fully counter-clockwise turns the pump off.

Accessory Kit Shipped with Each Pump

- 3 Connecting nuts 1/4"
- 3 Ferrules 1/4"
- 1 Injection check valve
- 1 Weighted suction line strainer 1/4"
- 1 20' Roll suction/discharge tubing 1/4" white
- 1 Additional pump tube
- 1 Manual

Features

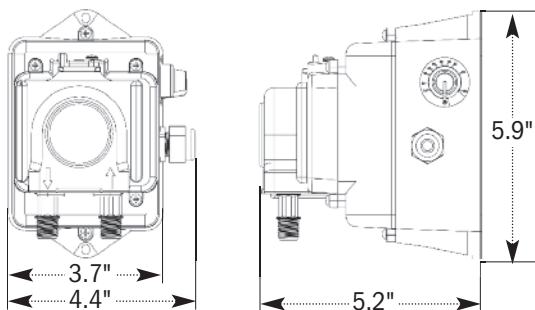
- Advantages of Stenner peristaltic pumps on page 1
- Patented quick release pump head
- Effortless tube replacement without tools
- Brushless motor
- Enclosed housing
- Optional mounting accessories available
- Tank System ships with pump pre-mounted to the tank.
- cULus for indoor/outdoor use
- CE listed, varies by model

Weights and Dimensions

Shipping Weight 4 lbs (1.8kg)

Box Dimensions 8 x 7 x 10 in. (20 x 18 x 25 cm)

Product Dimensions



ECON LD - Flow Rate Output Chart 80 psi (5.5 bar) maximum

Item Number Prefix	Pump Tube	Roller Assembly	Turndown Ratio	Ounces per Hour	Milliliters per Hour
E10LHM	M	White	50:1	0.04 to 2.4	1.3 to 70.0
E10LHF	F	White	50:1	0.11 to 8.1	3.2 to 240.0

Approximate Maximum Output @ 50/60Hz

NOTE: Injection check valve included.

NOTICE: The information within this chart is solely intended for use as a guide. The output data is an approximation based on pumping water under a controlled testing environment. Many variables can affect the output of the pump. Stenner Pump Company recommends that all metering pumps undergo field calibration by means of analytical testing to confirm their outputs.

Item Number Builder

Item Number Prefix		S
Tank System	Voltage & Hertz	Suction & Discharge Tubing
<ul style="list-style-type: none"> S7G 7.5-Gallon UV Gray S7N 7.5-Gallon White S1G 15-Gallon UV Gray S1N 15-Gallon White S3G 30-Gallon UV Gray S3N 30-Gallon White <p>Tanks also sold separately on page 35.</p>	<ul style="list-style-type: none"> A 120V 60Hz C 230V 50Hz 	<ul style="list-style-type: none"> 1 1/4" White 5 6 mm White <i>EUROPE</i> <p>O.D. does not affect output.</p>
Tube Material		
<ul style="list-style-type: none"> S Santoprene® <p>NOTE: Refer to the chemical resistance guide for chemical compatibility.</p>		

How to build an Item Number

1. Refer to above **Flow Rate Output Chart** to select a pump.
2. Select the **Item Number Prefix** from the output chart.
3. Select the remaining options to complete the item number.

Specifications

Flow Rate Output Control Potentiometer, 50:1 Turndown

Reproducibility ±2%

Maximum Working Pressure 80 psi (5.5 bar)

Maximum Operating Temperature 104°F (40°C)

Maximum Suction Lift 25 ft (7.6 m) vertical lift, based on water

Motor Type 24VDC, brushless

Shaft rpm 17

Duty Cycle Continuous

Max Viscosity 50 Centipoise

Motor Voltage (Amp Draw) 120V 60Hz, 230V 50Hz (0.17)

Power Cord Type SJTOW for NEMA plugs, H05VV-F for CE

Power Cord Length 6 ft (1.8 m)

Power Cord Plug End NEMA, Swiss, CE

Classification Indoor & outdoor

Materials of Construction

All Housings Polycarbonate

Pump Tube & Check Valve Duckbill Santoprene®, FDA approved

Pump Head Rollers Polyethylene

Suction/Discharge Tubing, Ferrules Polyethylene, FDA approved

Tube Fittings Polypropylene, NSF listed

Check Valve Fittings Type 1 Rigid PVC, NSF listed

Connecting Nuts PP or Type 1 Rigid PVC

Suction Line Strainer PP or Type 1 Rigid PVC body with Type 1 Rigid PVC cap, NSF listed; ceramic weight

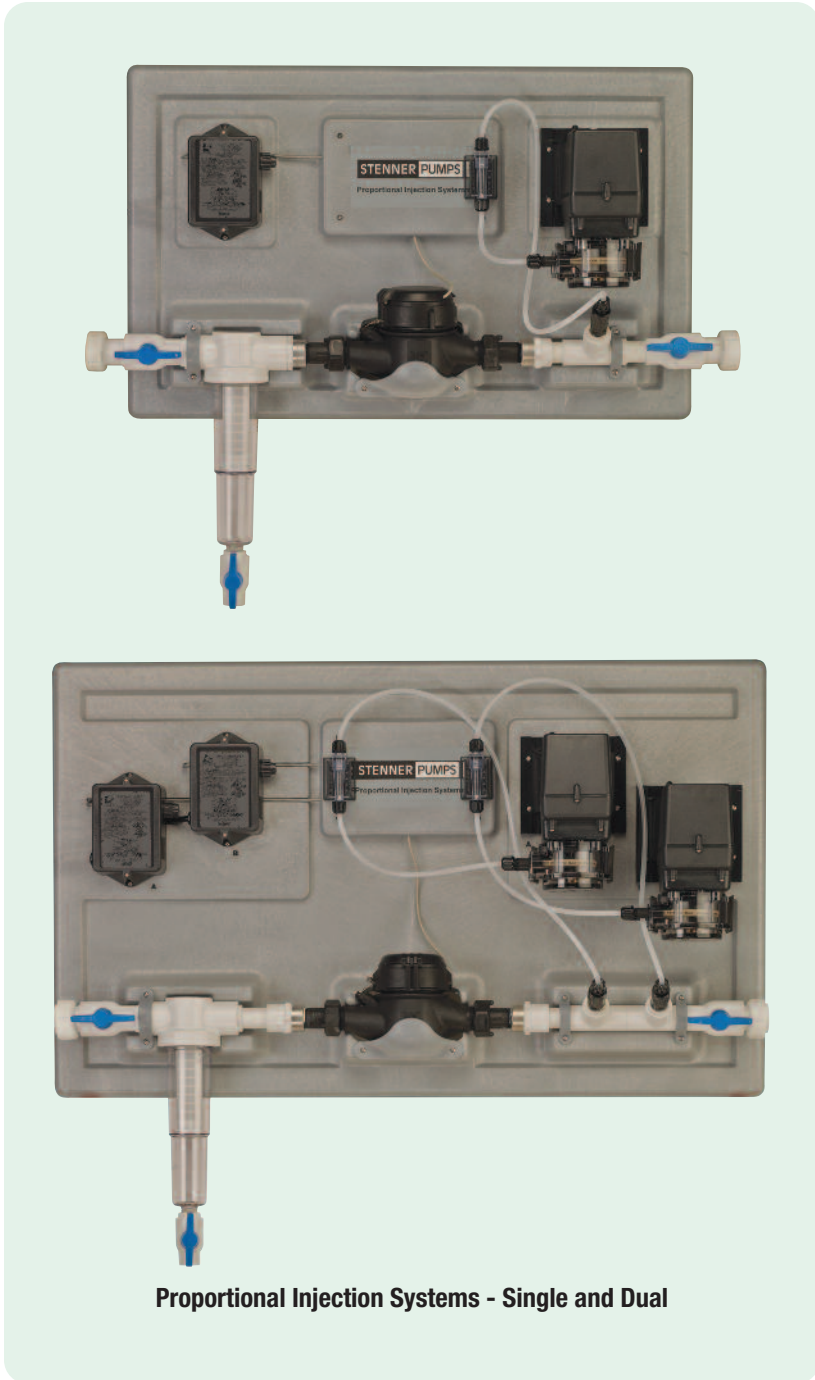
All Fasteners Stainless steel

Agency Listings



* Santoprene® is a registered trademark of Exxon Mobil Corporation.

PROPORTIONAL INJECTION SYSTEM



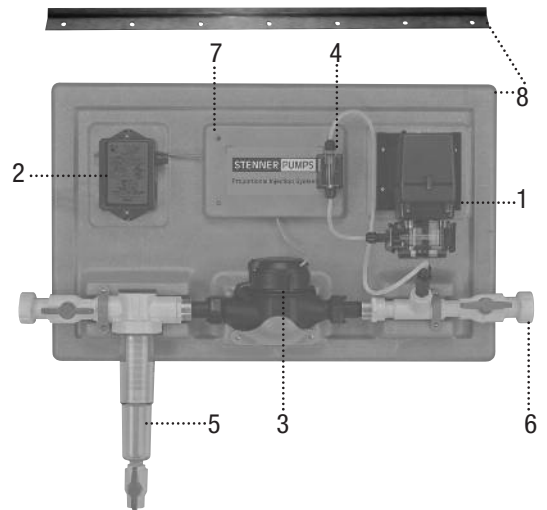
Proportional Metering in a Pre-Packaged System

The Proportional Injection System doses solution that is proportional to the system's flow rate based on water volume. The water meter sends a signal to the PCM which actuates the pump. Components are pre-mounted to a heavy duty panel for quick installation and convenient equipment accessibility.

The system is suited for constant pressure (variable speed) well pumps, poultry and livestock houses, irrigation, systems with demand based backup wells and any application with varying flow rates.

Components

- 1 Classic single head fixed output pump
- 2 PCM
- 3 Plastic 3/4" dry contact water meter, certified by WQA to ANSI/NSF 372, low lead
- 4 Flow Indicator to confirm pump is operating
- 5 Filter with 30 and 100 mesh screens
- 6 Unions for easy installation and removal
- 7 Cabinet keeps cords and wires contained
- 8 Heavy duty panel and wall mounting bracket



Weights and Dimensions

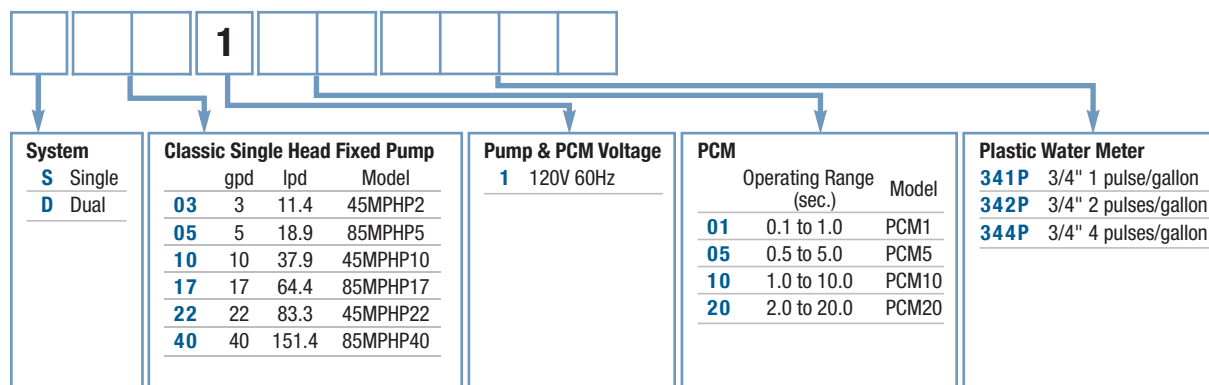
Shipping Weight

- Single: 29 lbs (13.2 kg)
- Dual: 42 lbs (19.0 kg)

Box Dimensions

- Single: 36 x 23 x 12 in. (91 x 58 x 30 cm)
- Dual: 43 x 27 x 12 in. (109 x 69 x 30 cm)

Item Number Builder



Specifications

Flow Rate Output Control Water meter and PCM

Voltage 120V 60Hz

Materials of Construction

Panel & Panel Fittings Polyethylene

Mounting Hardware Stainless steel

Piping and Associated Fittings PVC

Water Meter Plastic lead free (certified with WQA/ANSI-372)

Filter PVC with polycarbonate cover and two polyester screens 30 and 100 mesh

NOTE: PVC connections are socket weld union 3/4" connections. Two 1" to 3/4" reducer couplings are included in the accessory kit to allow unit to adapt to 1" piping systems.



7.5-Gallon (28.4 Liters)



15-Gallon (56.8 Liters)



30-Gallon (113.6 Liters)

Materials of Construction

Tank Polyethylene

Lid with child resistant lock Polypropylene

Grommets Viton

Screws Stainless steel

Agency Listings



How It Works

The Tank System consists of a tank and pump. The system is factory assembled with your pump choice: Classic single head adjustable or fixed, M128 or Econ and your tank choice: 7.5, 15, 30 gallon, in white or UV resistant gray.

Features

- Includes rain roof to help protect motor (Classic series only)
- Pump is vertically mounted for solution containment
- Child resistant lid
- Polyethylene construction is lightweight and rugged

Weight and Dimensions

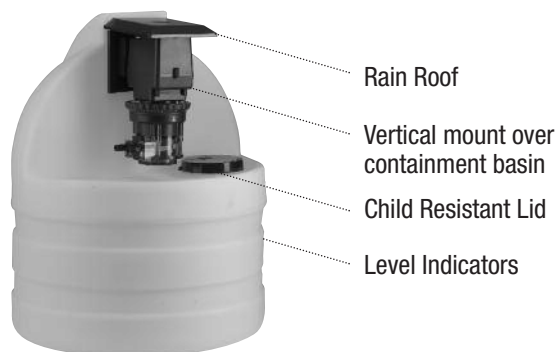
Shipping Weight and Box Dimensions

Tank Size	Shipping Weight			Box Dimensions
	Classic Adjustable or M128	Classic Fixed	Econ	
7.5-Gallon	24 lbs (10.9 kg)	23 lbs (10.4 kg)	19 lbs (8.6 kg)	23 x 23 x 20 in. (58 x 58 x 51 cm)
15-Gallon	27 lbs (12.3 kg)	26 lbs (11.8 kg)	22 lbs (10.0 kg)	23 x 23 x 26 in. (58 x 58 x 66 cm)
30-Gallon	33 lbs. (15.4 kg)	32 lbs (14.5 kg)	28 lbs (12.7 kg)	23 x 23 x 38 in. (58 x 58 x 97 cm)

NOTE: Build a tank system item number on pages 4, 5, 16, 19, 22, 25, 28, 31.

Product Dimensions

- 7.5-Gallon: 20.5 OD x 19.6 in. (52.1 OD x 49.8 cm)
- 15-Gallon: 20.5 OD x 25.3 in. (52.1 OD x 64.1 cm)
- 30-Gallon: 20.5 OD x 37.5 in. (52.1 OD x 95.3 cm)



Tank system shown with Classic Series single head adjustable pump



7.5-Gallon (28.4 Liters)



15-Gallon (56.8 Liters)



30-Gallon (113.6 Liters)

Materials of Construction

Tank Polyethylene

Lid with child resistant lock Polypropylene

Grommets Viton

Screws Stainless steel

Agency Listings



Quick Facts

- UV resistant gray or translucent white
- 7.5, 15 or 30 gallon
- Child resistant lid
- Polyethylene construction
- Lightweight

Weights and Dimensions

Shipping Weight and Box Dimensions

Tank Size	Shipping Weight	Box Dimension
7.5-Gallon	15 lbs (6.8 kg)	23 x 23 x 20 in. (58 x 58 x 51 cm)
15-Gallon	18 lbs. (8.2 kg)	23 x 23 x 26 in. (58 x 58 x 66 cm)
30-Gallon	24 lbs (10.9 kg)	23 x 23 x 38 in. (58 x 58 x 97 cm)

Product Dimensions

- 7.5-Gallon: 20.5 OD x 19.6 in. (52.1 OD x 49.9 cm)
- 15-Gallon: 20.5 OD x 25.3 in. (52.1 OD x 64.1 cm)
- 30-Gallon: 20.5 OD x 37.5 in. (52.1 OD x 95.3 cm)

Tanks

Includes screws and grommets

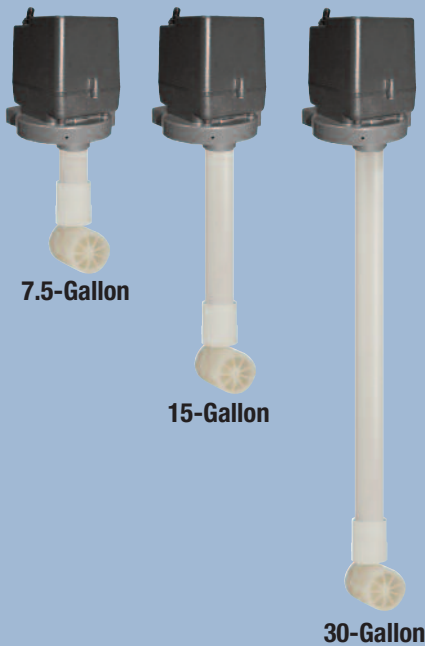
ITEM NUMBER	UM	DESCRIPTION	Works with
STS7GC	EA	7.5-Gallon Gray	Classic 45 & 85 / M128 / All Econ Pumps
STS7NC	EA	7.5-Gallon White	
STS15GC	EA	15-Gallon Gray	
STS15NC	EA	15-Gallon White	
STS30GC	EA	30-Gallon Gray	
STS30NC	EA	30-Gallon White	

* Econ Mounting Kit **EC303** required and sold separately on page 52.

Tanks

Includes screws, grommets and pump mounting kit

ITEM NUMBER	UM	DESCRIPTION	Works with
STS7G-02	EA	7.5-Gallon Gray	SVP Series only
STS7N-02	EA	7.5-Gallon White	
STS15G-02	EA	15-Gallon Gray	
STS15N-02	EA	15-Gallon White	
STS30G-02	EA	30-Gallon Gray	
STS30N-02	EA	30-Gallon White	



How It Works

The Mixer is utilized in applications for injecting solutions difficult to keep in suspension. It has been designed to retro-fit existing Stenner tank systems and tanks and modifications are not required. The mixer is intended for intermittent use applications and is available in 7.5, 15 and 30 gallon and 120V or 220V.

Features

The Mixer's design creates a rapid flow in a circular path. The speed and constant movement delivers high volume output for constant mixing to help keep the chemical in solution and prevent it from settling out around the outer edges of the solution tank.

The mixing head is sealed to keep it from getting entangled with the suction line. The sealed design eliminates the need for a suction line guard.

The mixer is easily installed by placing the unit in the solution tank opening, then, attaching the safety screws with a Phillips head screwdriver and plugging it in.

Weights and Dimensions

Shipping Weight

- 7.5-Gallon: 6.6 lbs (3.0 kg)
- 15-Gallon: 7.4 lbs (3.4 kg)
- 30-Gallon: 9.4 lbs (4.3 kg)

Box Dimensions

- 7.5-Gallon: 16 x 10 x 10 in. (40.6 x 25.4 x 25.4 cm)
- 15-Gallon: 22 x 10 x 10 in. (55.9 x 25.4 x 25.4 cm)
- 30-Gallon: 33 x 10 x 10 in. (83.8 x 25.4 x 25.4 cm)

Specifications

Maximum Operating Temperature

125°F (52°C)

Motor Type

1/30 HP, shaded pole, class B

Motor rpm

Approximately 3600

Duty Cycle

Continuous

Motor Voltage (Amp Draw)

120V 60Hz 1PH (1.7)

220V 60Hz 1PH (0.9)

Power Cord Type

SJTOW

Power Cord Plug End

120V 60Hz NEMA 5/15

220V 60Hz NEMA 6/15

Materials of Construction

Motor Housing

Polycarbonate

Wetted Parts

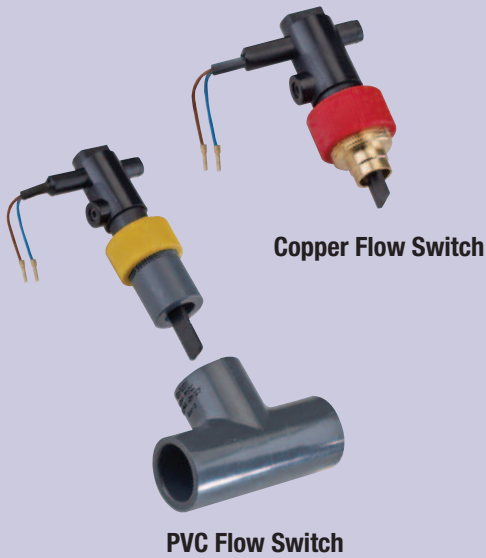
Nylon, Fiberglass, Santoprene®, PE, PVC, NSF approved or FDA compliant Hastelloy

All Fasteners

Stainless steel

Mixer Models

ITEM NUMBER	UM	DESCRIPTION
SMS75A	EA	7.5-Gallon, 120V 60Hz
SMS75B	EA	7.5-Gallon, 220V 60Hz
SMS15A	EA	15-Gallon, 120V 60Hz
SMS15B	EA	15-Gallon, 220V 60Hz
SMS30A	EA	30-Gallon, 120V 60Hz
SMS30B	EA	30-Gallon, 220V 60Hz



Copper Flow Switch

PVC Flow Switch

Specifications

Switching Function Contact closes at increasing flow, opens at decreasing flow

Pressure Rating Maximum 145 psi*

Medium Temperature
Maximum +212°F (+100°C)

Ambient Temperature Maximum
+158°F (+70°C)

Protection Class IP 65

Switching Current Maximum 1A

Switching Voltage Maximum 230VAC, 48VDC

Switching Capacity Maximum 26VA, 20W

Materials of Construction

Body/Paddle System PPO Noryl GFN3

Adapter

PVC: Glue-in,
Copper: Brass, soldering

Gasket EPDM

Magnet Hard Ferrite

Cable PVC

Agency Listings

- cETLus Component Recognized
- UL 508
- UL 353
- CSA C22.2#14-05
- Water Regulations Advisory Scheme

* Values for flow switch, observe maximum values of PVC slip fit tee or maximum values of copper pipe.

How It Works

In residential or light commercial applications, water treatment professionals can use a metering pump activated by a flow switch for applications such as disinfection, oxidation or pH adjustment. Stenner offers a dry contact, two wire flow switch for a PVC tee or copper pipe. Both are a paddle style with glass fiber reinforced plastic construction. The design uses a magnetic force to reset the paddle to eliminate spring fatigue. Stenner's Econ FP or Econ Integrator™ pumps are designed to interface with a two wire flow switch that accepts a dry contact.

Features

The flow switch for PVC includes a glue-in adapter for easy mounting to a standard PVC slip fit tee. The flow switch for copper has an adapter for soldering to copper pipe. The nominal activation points are based on installation into a Spears 3/4" or 1" schedule 80 PVC tee or an industry standard, smooth 3/4" or 1" copper pipe. The activation points are 1.2 gallons per minute for 3/4" and 1.9 gallons per minute for the 1" flow switch. A wiring harness is included with the Econ FP and the Econ Integrator™ for an easy connection to the dry contact flow switch.

Flow Switch		
ITEM NUMBER	UM	DESCRIPTION
EC500	EA	3/4" for PVC pipe
EC501	EA	1" for PVC pipe
EC50C	EA	3/4" for copper pipe
EC51C	EA	1" for copper pipe

PCM



PCM

Potentiometer

Materials of Construction

Housings Polycarbonate

Timer Microcontroller with triac output

Turndown Ratio 10:1

Input Signal Non-voltage dry contact, water meter

Reset Time Immediate

Minimum Signal Durations 10 milliseconds

Input Electrical 120V 60Hz

No Load Current 0.45mA AC maximum

Output Electrical

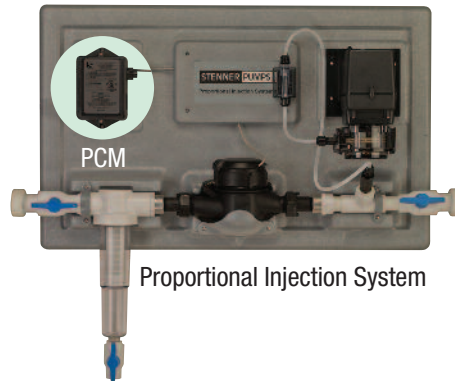
Maximum device load, 1.8 amp at 120V

Agency Listings



How It Works

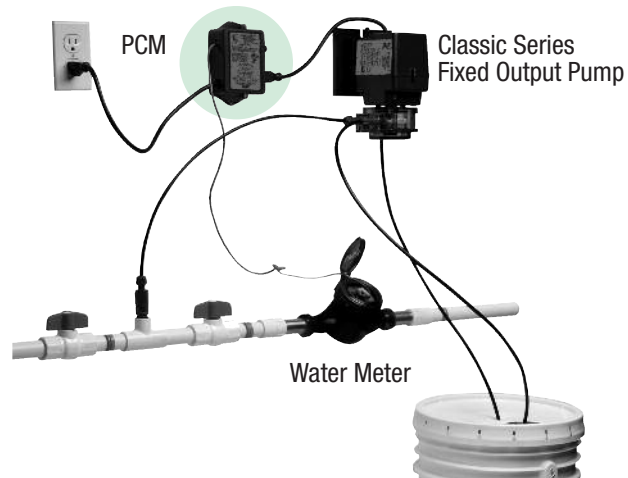
The PCM is a time adjustable controller utilized with Stenner's fixed output pump and a pulsing dry contact water meter for applications requiring proportional injection. The water meter sends a signal to the PCM and the PCM actuates the pump to deliver the desired dose based upon water volume. The PCM is a component in Stenner's Proportional Injection System.



Proportional Injection System

Customize Your Own Proportional Feed Installation

Individually select a PCM, a Classic Series single head fixed output pump and water meter. The components are sold separately.



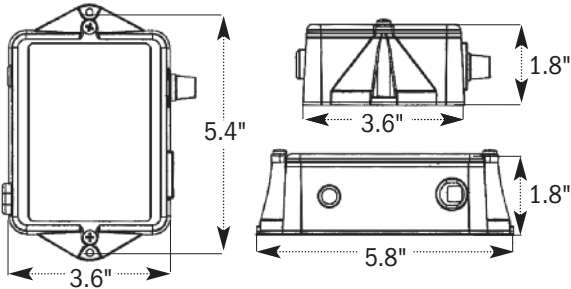
Features

- Chemical resistant ABS plastic housing
- On-time duration set with knob adjustment with locking feature
- 10' power cord and jacketed signal input cable

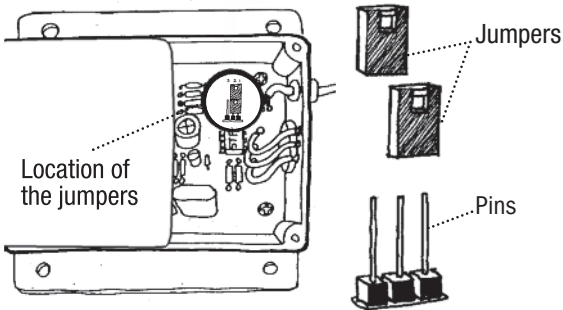
Weights and Dimensions

Shipping Weight 2 lbs (0.9 kg)

Box Dimensions 9 x 8 x 7 in. (23 x 20 x 18 cm)



The PCM's operating range can be converted by changing the position of the jumpers on the circuit board so another model doesn't have to be purchased.



PCM Models		
ITEM NUMBER	UM	DESCRIPTION
PCM1	EA	0.1 to 1.0 Second
PCM5	EA	0.5 to 5.0 Seconds
PCM10	EA	1.0 to 10.0 Seconds
PCM20	EA	2.0 to 20.0 Seconds



Plastic Water Meter

How It Works

The plastic water meter doesn't require power and utilizes a reed switch to provide a pulsing dry contact signal. The meter is certified by WQA to ANSI/NSF 372, low lead.

The 3/4" or 1" meter is included with the Econ or M128 Meter Systems. The 3/4" is included with the Proportional Injection System. Purchase components individually to assemble your own system.

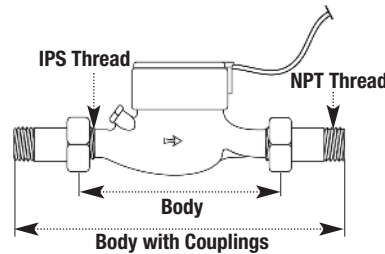
Weights and Dimensions

SIZE	SHIPPING WEIGHT	BODY	BODY WITH COUPLINGS	IPS THREAD	NPT THREAD
3/4"	2 lbs (1.0 kg)	7.5" (19.1 cm)	11.5" (29.2 cm)	1"	0.75"
1"	3 lbs (1.4 kg)	10.25" (26.0 cm)	15.25" (38.7 cm)	1.25"	1"
1 1/2"	6 lbs (2.7 kg)	9.63" (24.4 cm)	14.75" (37.5 cm)	2"	1 1/2"

Flow Rates*

Size	Flow Rate gpm	Pulses Per Gallon			
3/4"	0.25 to 22	1	2	4	10
1"	0.75 to 50	1	2	4	10
1 1/2"	2.0 to 100	1	2	4	n/a

* Continuous Flow: The meter size should be selected based upon continuous flow, gpm, as opposed to pipe size.



Specifications

Accuracy ±2% when operating between minimum and maximum flow range

Temperature Range 35-122°F (1.7-50°C)

Pressure Ratings 15-100 psi (1.0-6.9 bar)

Maximum Current 20mA

Maximum Voltage 24VDC or 24VAC

Sensor Reed Switch

Cable Length 6 ft (1.8 m)

Materials of Construction

Body** Engineered reinforced plastic (nylon)

Internal Engineered thermoplastic

Magnet Alnico

** 1 1/2" meter may include plastic or lead free brass couplings.

Plastic Meters

ITEM NUMBER	UM	SIZE	PPG
JLP0750-1PPG	EA	3/4"	1 pulse/gallon
JLP0750-2PPG			2 pulses/gallon
JLP0750-4PPG			4 pulses/gallon
JLP0750-10PPG			10 pulses/gallon
JLP1000-1PPG	EA	1"	1 pulse/gallon
JLP1000-2PPG			2 pulses/gallon
JLP1000-4PPG			4 pulses/gallon
JLP1500-1PPG	EA	1.5"	1 pulse/gallon
JLP1500-2PPG			2 pulses/gallon
JLP1500-4PPG			4 pulses/gallon

WATER METER



Stainless Steel Water Meter

Flow Rates

Continuous Flow* 80 gallons per minute

Flow Range 1-160 gallons per minute

Pulses per Gallon 1, 2, 4

* The size of the meter should be based upon continuous flow and gallons per minute as opposed to pipe size.

Specifications

Accuracy $\pm 1.5\%$ of maximum flow when operating between minimum and maximum flow range

Maximum Operating Pressure 150 psi (10.3 bar)

pH Level Range 6.5-8.0

Temperature Range 35-122°F (1.7-50°C)

Protect the meter from freezing

Maximum Current 20mA

Maximum Voltage 24VDC or 24VAC

Sensor Reed switch, dry contact type, normally open

Cable Length 6 ft (1.8 m)

Register US gallons

Materials of Construction

Body Stainless steel

Internal Engineered thermoplastic

Magnet Alnico

How It Works

The stainless steel water meter doesn't require power and utilizes a reed switch to provide a pulsing dry contact signal. The meter is certified by WQA to ANSI/NSF 372, low lead.

The meter is sold separately for selecting products individually for a proportional feed installation.

Weights and Dimensions

Shipping Weight 12 lbs (5.4 kg)

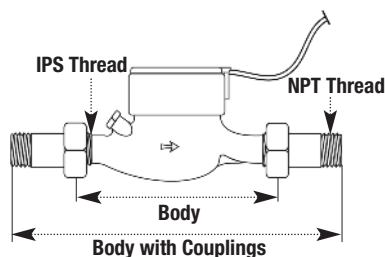
Dimensions

Body: 11.9 in. (30.1 cm)

Body with Couplings: 17.5 in. (44.5 cm)

IPS Thread: 2.5 in. (6.4 cm)

NPT Thread: 2.0 in. (5.1 cm)



Stainless Steel Meters

ITEM NUMBER	UM	SIZE	PPG
SSMRS20-1PPG	EA	2"	1 pulse/gallon
SSMRS20-2PPG			2 pulses/gallon
SSMRS20-4PPG			4 pulses/gallon

NOTE: Two week lead time for non-stocked meters. Contact factory to confirm availability.



VPD Water Meter

How It Works

The vertical positive displacement, oscillating piston, water meter doesn't require power and utilizes a reed switch to provide a pulsing dry contact signal. Although designed for vertical installation, the meter can be installed horizontally or on an incline, provided the meter remains full of water. The meter has a built-in back flow preventer and is housed in an engineered plastic with corrosion resistant liquid-sealed register for easy reading.

Weights and Dimensions

Shipping Weight 1.8 lbs (0.80 kg)

Dimensions

Body: 6.5 in. (16.51 cm)

Body with Couplings: 10.5 in. (26.67 cm)

IPS Thread: 1.0 in. (2.54 cm)

NPT Thread: 0.75 in. (1.9 cm)

Flow Rates

Continuous Flow* 16 gallons per minute

Flow Range 0.1-22 gallons per minute

* The size of the meter should be based upon continuous flow and gallons per minute as opposed to pipe size.

Specifications

Accuracy $\pm 2\%$ of maximum flow when operating between minimum and maximum flow range

Maximum Operating Pressure 150 psi (10.3 bar)

Temperature Range 35-122°F (1.7-50°C)

Protect the meter from freezing

Maximum Current 20mA

Maximum Voltage 24VDC or 24VAC

Sensor Reed switch, dry contact type, normally open

Cable Length 6 ft (1.8 m)

Register US gallons or liters

Materials of Construction

Body Engineered reinforced plastic (nylon)

Internal Engineered thermoplastic

VPD Meters

ITEM NUMBER	UM	SIZE	PPG
VPD0750-1PPG	EA	3/4"	1 pulse/gallon
VPD0750-1PPL			1 pulse/liter

NOTE: Two week lead time for non-stocked meters. Contact factory to confirm availability.

PUMP TUBES



QuickPro® PUMP LINE - Pump Tube

Includes ferrules 1/4" (EUROPE 6 mm)

PART NUMBER	UM	DESCRIPTION	Works with
UCCP20	2-PK	Santoprene® tube	Classic / SVP / S / M128 M05 #5 tube only
MCCP20	5-PK	select # 1, 2, 3, 4 or 5 for ■	
UCCP207	2-PK	Santoprene® #7 tube	Classic 45 & 85 only / SVP / S / M128 M07 only
MCCP207	5-PK		
UCTYGO	2-PK	Versilon™ tube	Classic / SVP / S
MCTYGO	5-PK	select # 1, 2, 3, 4 or 5 for ■	
EUROPE	UCCP2CE	2-PK	Classic / SVP / S
	MCCP2CE	5-PK	
	UCCP27CE	2-PK	Classic 45 & 85 only / SVP / S
	MCCP27CE	5-PK	
UCTYCE	2-PK	Versilon™ tube	Classic / SVP / S
MCTYCE	5-PK	select # 1, 2, 3, 4 or 5 for ■	

Refer to the **Flow Rate Output Charts** to match the pump model with the correct tube.

Includes duckbills, ferrules 1/4" (EUROPE 6 mm)

PART NUMBER	UM	DESCRIPTION	Works with
UCCPFD	2-PK	Santoprene® tube select # 1 or 2 for ■	Classic / SVP / S
UCCP7FD	2-PK	Santoprene® #7 tube	Classic 45 & 85 only / SVP / S / M128 M07 only
UCTYFD	2-PK	Versilon™ tube select # 1 or 2 for ■	Classic / SVP / S
EUROPE	UCFDCE	2-PK	Classic / SVP / S
		Santoprene® tube select # 1 or 2 for ■	
	UC7FDCE	2-PK	Classic 45 & 85 only / SVP / S
UCTYDCE	2-PK	Versilon™ tube select # 1 or 2 for ■	Classic / SVP / S



ECON PUMP LINE - Pump Tube

PART NUMBER	UM	DESCRIPTION	Works with
EC30A-2	2-PK	Pump Tube A, Ferrules 1/4"	Econ T
EC30B-2	2-PK	Pump Tube B, Ferrules 1/4"	Econ T
EC30C-2	2-PK	Pump Tube C, Ferrules 1/4"	Econ T
EC30F-2	2-PK	Pump Tube F, Ferrules 1/4"	Econ: FP, Integrator™, LD, T
EC30G-2	2-PK	Pump Tube G, Ferrules 1/4"	Econ: FP, Integrator™, T
EC30H-2	2-PK	Pump Tube H, Ferrules 1/4"	Econ: FP, Integrator™, Stennicator™, T
EC30M-2	2-PK	Pump Tube M, Ferrules 1/4"	Econ LD

Refer to the **Flow Rate Output Charts** to match the pump with the correct tube and roller assembly.

* Confirm material compatibility with the chemical resistance guide in the catalog. Santoprene® is beige; Versilon™ and Pellathane® are clear; the FKM duckbill is black.



The Classic, SVP, M128 and S series are manufactured with the patent pending QuickPro® pump head. The QuickPro® contains a collapsible roller assembly and the housing is attached by latches instead of screws.

QuickPro® Pump Head 0-25 psi (0-1.7 bar)

Includes pump head, tube, ferrules 1/4" (EUROPE 6 mm)

PART NUMBER	UM	DESCRIPTION	Works with
QP25-1	EA	Select Santoprene® tube	Classic / SVP
QP25-2	2-PK	# 1, 2, 3 or 4 for ■	
QP255-1	EA	#5 Santoprene® tube	Classic / SVP / M128 M05 only
QP255-2	2-PK		
QP25T-1	EA	Select Versilon™ tube	Classic / SVP
		# 1, 2, 3, 4 or 5 for ■	
EUROPE	QP17-1	EA	Classic / SVP
	QP17-2	2-PK	
	QP17T-1	EA	
		Select Versilon™ tube	
		# 1, 2, 3, 4 or 5 for ■	

QuickPro® Pump Head 26-100 psi (1.8-6.9 bar)

Includes pump head, tube, duckbill, ferrules 1/4" (EUROPE 6 mm)

PART NUMBER	UM	DESCRIPTION	Works with
QP10-1	EA	Select Santoprene® tube	Classic / SVP
		# 1 or 2 for ■	
QP107-1	EA	#7 Santoprene® tube	Classic 45 & 85 only / SVP / M128 M07 only
QP10T-1	EA	Select Versilon™ tube	Classic / SVP
		# 1 or 2 for ■	
EUROPE	QP69-1	EA	Classic / SVP
	QP697-1	EA	
	QP69T-1	EA	
		Select Santoprene® tube	
		# 1 or 2 for ■	
		#7 Santoprene® tube	Classic (45 & 85 only) / SVP
		Select Versilon™ tube	Classic / SVP
		# 1 or 2 for ■	

S SERIES

QuickPro® Pump Head with LEAK DETECT 25 psi (1.7 bar) max.

Includes pump head, tube, ferrules 1/4" (EUROPE 6 mm)

PART NUMBER	UM	DESCRIPTION	Works with
S310-1	EA	Select Santoprene® tube	S Series only
S310-2	2-PK	# 3, 4 or 5 for ■	
S320-1	EA	Select Versilon™ tube	S Series only
		# 3, 4 or 5 for ■	
EUROPE	S315-1	EA	S Series only
	S315-2	2-PK	
	S325-1	EA	
		Select Santoprene® tube	
		# 3, 4 or 5 for ■	
		Select Versilon™ tube	
		# 3, 4 or 5 for ■	

S SERIES

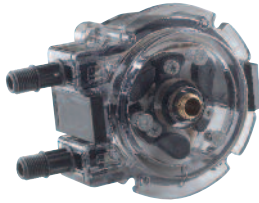
QuickPro® Pump Head with LEAK DETECT 100 psi (6.9 bar) max.

Includes pump head, tube, duckbill, ferrules 1/4" (EUROPE 6 mm)

PART NUMBER	UM	DESCRIPTION	Works with
S310-1	EA	Select Santoprene® tube	S Series only
S310-2	2-PK	# 1, 2 or 7 for ■	
S320-1	EA	Select Versilon™ tube	S Series only
		# 1 or 2 for ■	
EUROPE	S315-1	EA	S Series only
	S315-2	2-PK	
	S325-1	EA	
		Select Santoprene® tube	
		# 1, 2 or 7 for ■	
		Select Versilon™ tube	
		# 1 or 2 for ■	

Refer to the **Flow Rate Output Charts** to match the pump model with the correct tube.

* Confirm material compatibility with the chemical resistance guide in the catalog. Santoprene® is beige; Versilon™ and Pellathane® are clear; the FKM duckbill is black.



The Classic, SVP, M128 and S series are manufactured with the patent pending QuickPro® pump head. The QuickPro® contains a collapsible roller assembly and the housing is attached by latches instead of screws.

QuickPro® Innermost Pump Head 0-25 psi (0-1.7 bar)

Includes innermost pump head, tube, ferrules 1/4" (EUROPE 6 mm)

PART NUMBER	UM	DESCRIPTION	Works with
QPA25-1	EA	Select Santoprene™ tube	Classic 100 & 170 only
QPA25-2	2-PK	# 1, 2, 3, 4 or 5 for ■	
EUROPE QPA17-1	EA	Select Santoprene™ tube	Classic 100 & 170 only
EUROPE QPA17-2	2-PK	# 1, 2, 3, 4 or 5 for ■	

QuickPro® Innermost Pump Head 26-100 psi (1.8-6.9 bar)

Includes innermost pump head, tube, duckbill, ferrules 1/4" (EUROPE 6 mm)

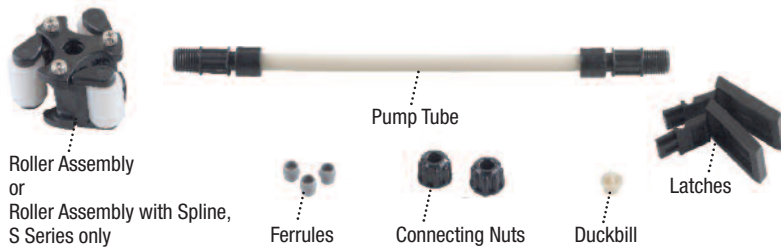
PART NUMBER	UM	DESCRIPTION	Works with
QPA10-1	EA	Select Santoprene™ tube	Classic 100 & 170 only
QPA10-2	2-PK	select # 1 or 2 for ■	
EUROPE QPA69-1	EA	Select Santoprene™ tube	Classic 100 & 170 only
EUROPE QPA69-2	2-PK	# 1 or 2 for ■	

Refer to the **Flow Rate Output Charts** to match the pump model with the correct tube.

QuickPro® Innermost Pump Head Parts

PART NUMBER	UM	DESCRIPTION	Works with
QP10A-1	EA	Pump Head Cover	Classic 100 & 170 only
QP10A-2	2-PK		
QP50A-1	EA	Roller Assembly	

* Confirm material compatibility with the chemical resistance guide in the catalog.



The Classic, SVP, M128 and S series are manufactured with the patent pending QuickPro® pump head. The QuickPro® contains a collapsible roller assembly and the housing is attached by latches instead of screws.

QuickPro® Pump Head Service Kits 0-25 psi (0-1.7 bar)

Kit includes parts as shown, duckbill not included

PART NUMBER	UM	DESCRIPTION	Works with
QP25■K	KIT	Kit-Select Santoprene® tube # 1, 2, 3 or 4 for ■	Classic / SVP
QP255K	KIT	Kit-#5 Santoprene® tube	Classic / SVP / M128 M05 only
QP25T■K	KIT	Kit-Select Versilon™ tube # 1, 2, 3, 4 or 5 for ■	Classic / SVP
EUROPE QP17■K	KIT	Kit-Select Santoprene® tube # 1, 2, 3, 4 or 5 for ■	Classic / SVP
	QP17T■K	Kit-Select Versilon™ tube # 1, 2, 3, 4 or 5 for ■	

QuickPro® Pump Head Service Kits 26-100 psi (1.8-6.9 bar)

Kit includes parts as shown

PART NUMBER	UM	DESCRIPTION	Works with
QP10■K	KIT	Kit-Select Santoprene® tube # 1 or 2 for ■	Classic / SVP
QP107K	KIT	Kit-#7 Santoprene® tube	Classic 45 & 85 only / SVP / M128 M07 only
QP10T■K	KIT	Kit-Select Versilon™ tube # 1 or 2 for ■	Classic / SVP
EUROPE QP69■K	KIT	Kit-Select Santoprene® tube # 1 or 2 for ■	Classic / SVP
	QP697K	Kit-#7 Santoprene® tube	
	QP69T■K	Kit-Select Versilon™ tube # 1 or 2 for ■	

S SERIES

QuickPro® Pump Head Service Kits 25 psi (1.7 bar) maximum

Kit includes parts as shown, duckbill not included

PART NUMBER	UM	DESCRIPTION	Works with
S310■K	KIT	Kit-Select Santoprene® tube # 3, 4 or 5 for ■	S Series
S320■K	KIT	Kit-Select Versilon™ tube # 3, 4 or 5 for ■	
EUROPE S311■K	KIT	Kit-Select Santoprene® tube # 3, 4 or 5 for ■	
	S321■K	Kit-Select Versilon™ tube # 3, 4 or 5 for ■	

S SERIES

QuickPro® Pump Head Service Kits 100 psi (6.9 bar) maximum

Kit includes parts as shown

PART NUMBER	UM	DESCRIPTION	Works with
S310■K	KIT	Kit-Select Santoprene® tube # 1, 2 or 7 for ■	S Series
S320■K	KIT	Kit-Select Versilon™ tube # 1 or 2 for ■	
EUROPE S311■K	KIT	Kit-Select Santoprene® tube # 1, 2 or 7 for ■	
	S321■K	Kit-Select Versilon™ tube # 1 or 2 for ■	

Refer to the **Flow Rate Output Charts** to match the pump model with the correct tube.

* Confirm material compatibility with the chemical resistance guide in the catalog. Santoprene® is beige; Versilon™ and Pellathane® are clear; the FKM duckbill is black.

PUMP HEAD PARTS

QuickPro® PUMP LINE
ECON PUMP LINE



QP Tube Housing with Latches
or
QP Tube Housing with Leak Detect
and Latches, S Series only



QP Roller Assembly
or
QP Roller Assembly with
Spline, S Series only



Pump Tubes
Page 43



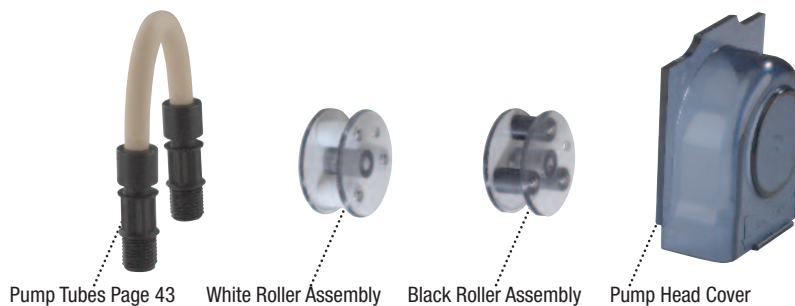
QP Tube Housing Cover
or
QP Tube Housing Cover with
Leak Detect, S Series only

The Classic, SVP, M128 and S series are manufactured with the patent pending QuickPro® pump head. The QuickPro® contains a collapsible roller assembly and the housing is attached by latches instead of screws.

QuickPro® PUMP LINE - Pump Head Parts			
PART NUMBER	UM	DESCRIPTION	Works with
QP400-1	EA	QP Tube Housing with Latches	Classic / SVP / M128
QP400-2	2-PK		
QP401-2	2-PK	QP Latches only	Classic / SVP / S / M128
QP500-1	EA	QP Roller Assembly	Classic / SVP / M128
QP500-4	4-PK		
QP501-3	EA	QP Roller Arm Assembly includes arms, bushings, rollers, screws	Classic / SVP / S / M128
QP100-1	EA	QP Tube Housing Cover with Bushing	Classic / SVP / M128
QP100-4	4-PK		

S SERIES

QuickPro® PUMP LINE - Pump Head with Leak Detect Parts			
PART NUMBER	UM	DESCRIPTION	Works with
S3400-1	EA	QP Tube Housing with Leak Detect and Latches	S Series only
S3400-2	2-PK		
S3500-1	EA	QP Roller Assembly with Spline	
S3500-4	4-PK		
S3600-1	EA	QP Tube Housing Cover with Leak Detect	
S3600-4	4-PK		
QP401-2	2-PK	QP Latches only	Classic / SVP / S / M128
QP501-3	EA	QP Roller Arm Assembly includes arms, bushings, rollers, screws	



ECON PUMP LINE - Pump Head Parts			
PART NUMBER	UM	DESCRIPTION	Works with
EC350	EA	White Roller Assembly	Refer to the Flow Rate Output Charts to match the Econ pump model with the correct tube and roller assembly.
EC351	EA	Black Roller Assembly	
EC355	EA	Pump Head Cover	



Injection Check Valve 1/4"



Injection Check Valve 3/8"



Injection Fitting



Santoprene® Duckbill



Santoprene® O-Ring



Pellathane® Duckbill



FKM® Duckbill



FKM® O-Ring

Check Valves 26-100 psi (1.8-6.9 bar)

PART NUMBER	UM	DESCRIPTION	Works with
UCDBINJ MCDBINJ	EA 5-PK	CV includes Santoprene® duckbill, ferrule 1/4"	All Pumps
UCTYINJ MCTYINJ	EA 5-PK	CV includes Pellathane® duckbill, ferrule 1/4"	
UCKMINJ MCKMINJ	EA 5-PK	CV includes FKM® duckbill, ferrule 1/4"	
UCINJ38 MCINJ38	EA 5-PK	CV includes Santoprene® duckbill, ferrule 3/8"	
UCTYIJ38 MCTYIJ38	EA 5-PK	CV includes Pellathane® duckbill, ferrule 3/8"	
UCKMI38 MCKMI38	EA 5-PK	CV includes FKM® duckbill, ferrule 3/8"	
BCV14TVH	EA	Injection ball check valve 1/4"	
UCINJCE MCINJCE	EA 5-PK	CV includes Santoprene® duckbill, ferrule 6 mm	
UCTINJCE MCTINJCE	EA 5-PK	CV includes Pellathane® duckbill, ferrule 6 mm	
UCKMJCE MCKMJCE	EA 5-PK	CV includes FKM® duckbill, ferrule 6 mm	

Check Valve Parts 26-100 psi (1.8-6.9 bar)

PART NUMBER	UM	DESCRIPTION	Works with
CVIJ1/4	EA	Check Valve Injection Fitting 1/4"	All Pumps
CVIJ3/8	EA	Check Valve Injection Fitting 3/8"	
UCCVDB0 MCCVDB0	2-PK 5-PK	Santoprene® Check Valve Duckbill	
CVIJOR	EA	Santoprene® Check Valve O-Ring	
UCTYDB2 MCTYDB5	2-PK 5-PK	Pellathane® Check Valve Duckbill	
UCKMDB0 MCKMDB0	2-PK 5-PK	FKM® Check Valve Duckbill & O-Ring	
TVIJOR	EA	Pellathane® Check Valve O-Ring	



Injection Fitting with Nut & Ferrule 1/4"

Injection Fittings 0-25 psi (0-1.7 bar)

PART NUMBER	UM	DESCRIPTION	Works with
UCAK300 MCAK300	EA 5-PK	Injection Fitting with Nut & Ferrule 1/4"	All Pumps
UCAK3CE	KIT	Injection Fitting with Nut & Ferrule 6 mm	

* Confirm material compatibility with the chemical resistance guide in the catalog. Santoprene® is beige; Versilon™ and Pellathane® are clear; the FKM duckbill is black.

MISC. PARTS and SUCTION/DISCHARGE TUBING

QuickPro® PUMP LINE
ECON PUMP LINE



Connecting Nut 1/4"



Connecting Nut 3/8"



Connecting Nut 3/8"
with Adapter



Ferrule 1/4"



Weighted Suction
Line Strainer



AquaShield®



Flow Indicator
with Bracket



Filter Assembly



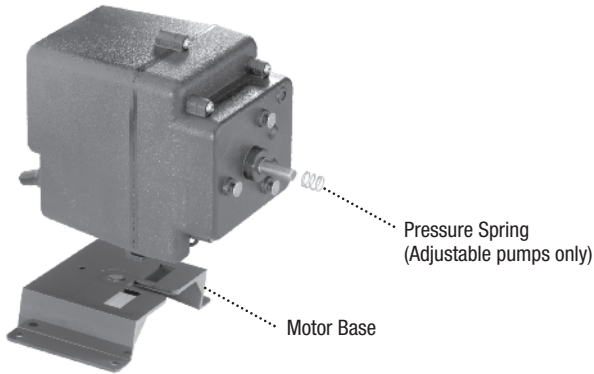
1/4" White



3/8" UV Black

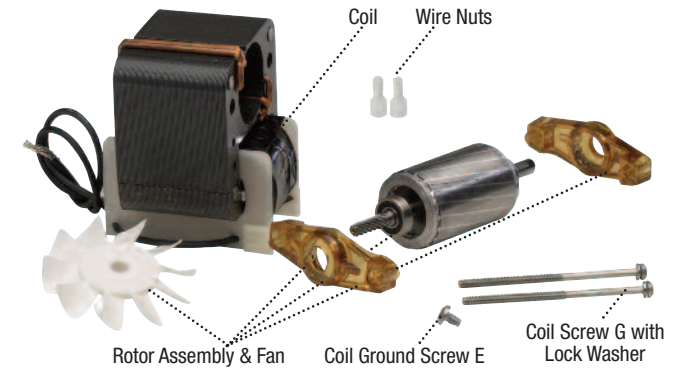
Miscellaneous Parts					
PART NUMBER	UM	DESCRIPTION	Works with		
UCAK100	10-PK	Connecting Nut 1/4"	All Pumps		
MCAK100	24-PK				
MANUT00	EA	Connecting Nut 3/8"			
UCADPTR	2-PK	Connecting Nut 3/8" with Adapter			
MCADPTR	5-PK				
UCAK200	10-PK	Ferrule 1/4"			
MCAK200	24-PK				
ST114	EA	Weighted Suction Line Strainer 1/4"	Flow Indicator		
ST138	EA	Weighted Suction Line Strainer 3/8"			
MAGRE55	EA	AquaShield® 5.5 oz. Tube			
AK600	EA	Flow Indicator 1/4" with Bracket			
AK700	EA	Flow Indicator 3/8" with Bracket			
AK900	EA	Flow Indicator Bracket			
P2000	EA	Filter Assembly		Prop. Inj. Sys.	
EUROPE	MCAK2CE	24-PK		Ferrule 6 mm	All Pumps
	ST106	EA		Weighted Suction Line Strainer 6 mm	
	AK800	EA		Flow Indicator 6 mm with Bracket	

Suction/Discharge Tubing					
PART NUMBER	UM	DESCRIPTION		Works with	
AK4002B	ROLL	1/4" x 20'	UV Black	All Pumps	
AK4002W	ROLL	1/4" x 20'	White		
AK4010B	ROLL	1/4" x 100'	UV Black		
AK4010W	ROLL	1/4" x 100'	White		
AK4100B	ROLL	1/4" x 1000'	UV Black		
AK4100W	ROLL	1/4" x 1000'	White		
MALT02B	ROLL	3/8" x 20'	UV Black		
MALT002	ROLL	3/8" x 20'	White		
MALT10B	ROLL	3/8" x 100'	UV Black		
MALT010	ROLL	3/8" x 100'	White		
MALTB10	ROLL	3/8" x 1000'	UV Black		
MALT100	ROLL	3/8" x 1000'	White		
EUROPE	AK20W6M	ROLL	6 mm x 20'		White



Motor 60Hz			
PART NUMBER	UM	DESCRIPTION	Works with
PM6041D	EA	120V	Adjustable 45 & 100
PM6042D	EA	220V	
PM6081D	EA	120V	Adjustable 85 & 170
PM6082D	EA	220V	
ME6041D	EA	120V	Fixed 45
ME6042D	EA	220V	
ME6081D	EA	120V	Fixed 85
ME6082D	EA	220V	
DM6041D	EA	120V	Fixed 100
DM6042D	EA	220V	
DM6081D	EA	120V	Fixed 170
DM6082D	EA	220V	

Motor 50Hz			
PART NUMBER	UM	DESCRIPTION	Works with
PM64230	EA	230V	Adjustable 45 & 100
PM6426D	EA	250V	
PM68230	EA	230V	Adjustable 85 & 170
PM6826D	EA	250V	
ME64230	EA	230V	Fixed 45
ME6426D	EA	250V	
ME68230	EA	230V	Fixed 85
ME6826D	EA	250V	
DM64230	EA	230V	Fixed 100
DM64250	EA	250V	
DM68230	EA	230V	Fixed 170
DM68250	EA	250V	



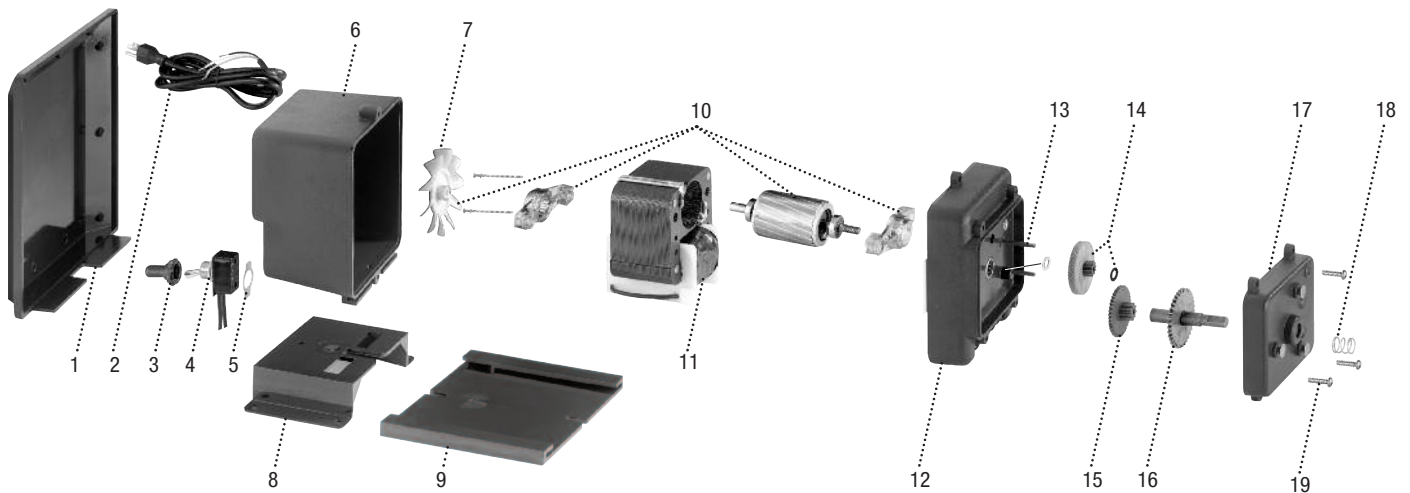
Motor Service Kits			
PART NUMBER	UM	DESCRIPTION	Works with
MSK120	KIT	120V 60Hz	All Classic Pumps
MSK220	KIT	220V 60Hz	

Kit includes parts as shown

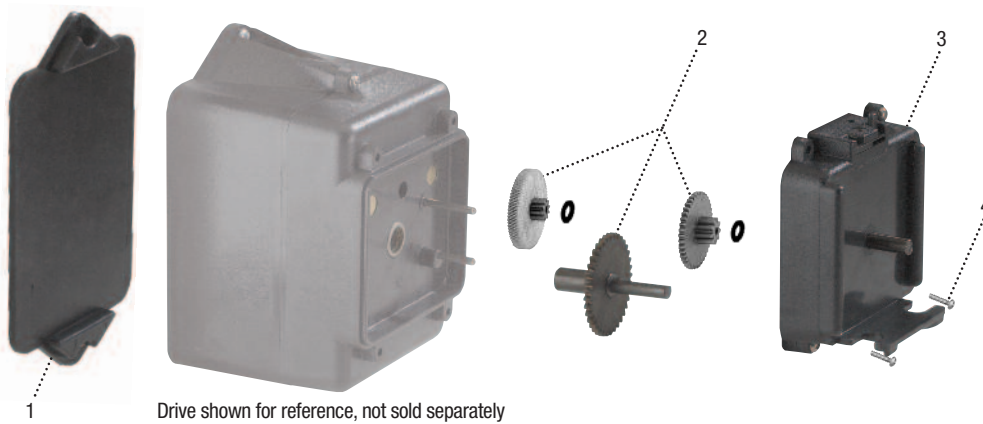


Gear Case Service Kits			
PART NUMBER	UM	DESCRIPTION	Works with
GSK45A	KIT	Gear Case Service Kit	Adjustable 45 & 100
GSK85A	KIT		Adjustable 85 & 170
GSK45F	KIT		Fixed 45
GSK85F	KIT		Fixed 85

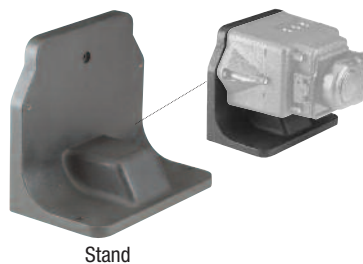
Kit includes parts as shown



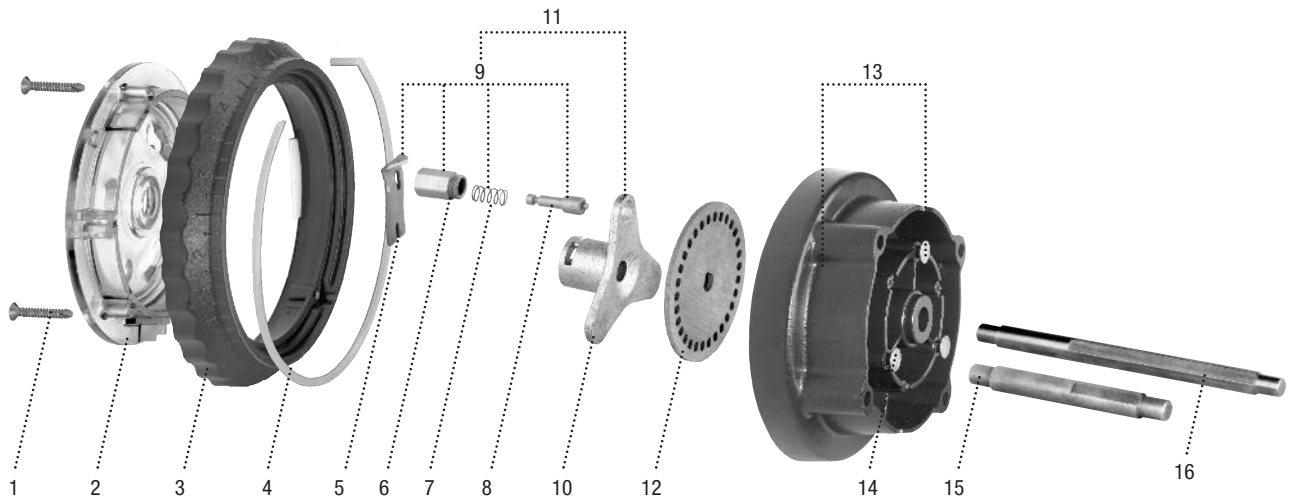
Motor Parts					Motor Parts				
DIAGRAM	PART NUMBER	UM	DESCRIPTION	Works with	DIAGRAM	PART NUMBER	UM	DESCRIPTION	Works with
1	MP90000	EA	Rain Roof	All Classic Pumps	12	PM6K0BL	EA	Gear Case with Posts	All Classic Pumps
Not shown	MP90001	EA	Pump Cover	Adjustable 45 & 85	13	PM6M000	EA	Gear Posts	
Not shown	MP90002	KIT	Pump Cover & Rain Roof		14	MP6N040	EA	Phenolic Gear with Spacer 26 rpm	Adjustable 45 & 100 / Fixed 45 & 100
2	MP6B010	EA	Power Cord 120V	All Classic Pumps		MP6N080	EA	Phenolic Gear with Spacer 44 rpm	Adjustable 85 & 170 / Fixed 85 & 170
	MP6B020	EA	Power Cord 220V			15	MP6O040	EA	Metal Reduction Gear 26 rpm
3	MP6C000	EA	Switch Boot			MP6O080	EA	Metal Reduction Gear 44 rpm	Adjustable 85 & 170 / Fixed 85 & 170
4	PM6E000	EA	Toggle Switch		16	MP6Q00D	EA	Motor Shaft with Gear	Adjustable 45, 85, 100 & 170
5	MP6D000	EA	On-Off Switch Plate			ME6Q0LD	EA	Motor Shaft with Gear	Fixed 45 & 85
6	PM6A0BL	EA	Motor Cover with 120V Cord			DM6Q0LD	EA	Motor Shaft with Gear	Fixed 100 & 170
	PM6A00L	EA	Motor Cover with 220V Cord		17	PM6R0BL	EA	Gear Case Cover	All Classic Pumps
7	PM6F000	EA	Motor Fan		18	MP6T000	EA	Pressure Spring	Adjustable 45, 85, 100 & 170
8	MP70000	EA	Motor Base		19	UCCPS0B	10-PK	Cover Screw B	All Pumps
9	MP80000	EA	Mounting Bracket			MCCPS0B	24-PK		
10	PMBRPL2	EA	Rotor Assembly with Bearings, Brackets, Tolerance Rings & Fan						
11	MP6J115	EA	Coil 60Hz 120V						
	MP6J226	EA	Coil 60Hz 220V						
	MP6J223	EA	Coil 50Hz 230V						
	MP6J222	EA	Coil 50Hz 250V						



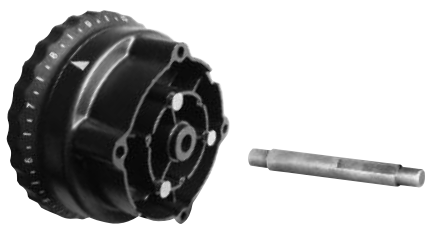
Motor Parts				
DIAGRAM	PART NUMBER	UM	DESCRIPTION	Works with Econ Pumps
1	EC302	EA	Drive Assembly Pad	Econ: FP / Integrator™ / LD / Stennicator / T
Not shown	EC300	EA	DC Motor, brushed with leads	Econ T E10 only
Not shown	EC307	EA	DC Motor, brushed with leads	Econ T E20 only
Not shown	EC301	EA	DC Motor, brushless	Econ: FP / Integrator™ / LD / Stennicator
2	EC310	KIT	Gear Kit includes spacers, screws & AquaShield®	Econ: T E10 only / LD
	EC320	KIT	Gear Kit includes spacers, screws & AquaShield®	Econ: T E20 only / FP / Integrator™ / Stennicator
3	EC330	EA	Gear Case Front Cover	All Econ Pumps
4	UCCPSOB MCCPSOB	10-PK 24-PK	Cover Screw B	All Econ Pumps



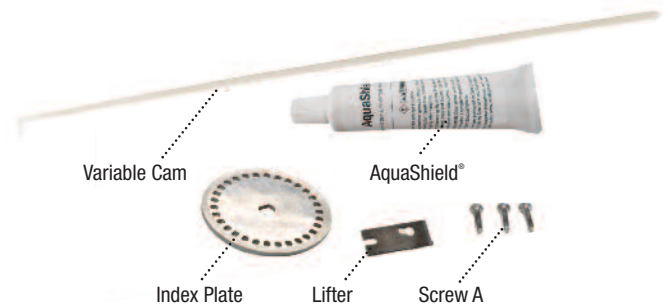
Optional Mounting Accessories				
PART NUMBER	UM	DESCRIPTION	Works with Econ Pumps	
EC303	KIT	Mounting Kit (for wall mount or Stenner tank)	All Econ Pumps	
EC304	EA	Stand (for horizontal display or wall mount)		



Feed Rate Control Parts				
DIAGRAM	PART NUMBER	UM	DESCRIPTION	Works with
1	FCS000A	EA	FRC Screw A	Adjustable 45, 85, 100 & 170
2	FC5N000	EA	Feed Rate Mounting Plate	
3	FC5M040	EA	Dial Ring	
4	UCFC5H0 MCFC5H0	2-PK 5-PK	Variable Cam	
5	UCFC5L1 MCFC5L1	2-PK 5-PK	Index Pin Lifter	
6	FC5L003	EA	Index Pin Holder	
7	FC5L005	EA	Index Pin Spring	
8	FC5L002	EA	Index Pin	
9	UCFC5AY MCFC5AY	EA 2-PK	Index Pin Assembly with Lifter includes 5, 6, 7 & 8	
10	FC5K00D	EA	Index Spider	Adjustable 45, 85, 100 & 170
11	FC5LASY	EA	Index Spider Assembly includes 9 & 10	
12	UCFC5ID MCFC5ID	EA 5-PK	Index Plate	
13	FC5D00S	EA	Feed Rate Housing with Roller Clutch, Seal & Rivets	Adjustable 45 & 85
14	FCS000C	EA	Mounting Rivet C	
15	UCFC5AD MCFC5AD	EA 2-PK	Main Shaft	
16	DM5A00D	EA	Main Shaft	Adjustable 100 & 170

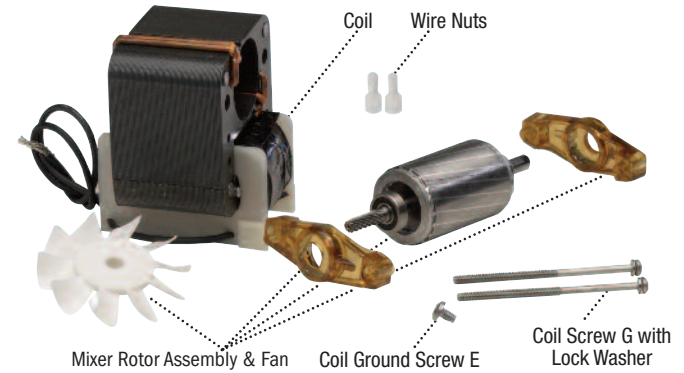
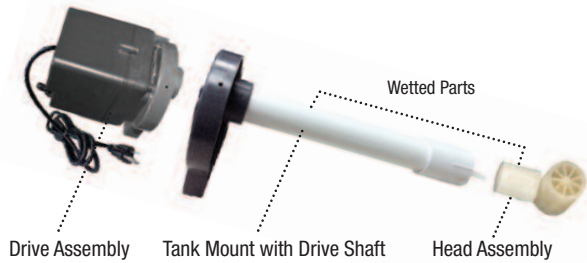


Feed Rate Control with Shaft			
PART NUMBER	UM	DESCRIPTION	Works with
FC5040D	EA	Feed Rate Control	Adjustable 45 & 85
DM5040D	EA	with Shaft	Adjustable 100 & 170



Feed Rate Service Kits			
Kit includes parts as shown			
PART NUMBER	UM	DESCRIPTION	Works with
FSK100	KIT	Feed Rate Control Service Kit	Adjustable 45, 85, 100 & 170

MIXER and WATER METER PARTS



MIXER - Drive Assembly

PART NUMBER	UM	DESCRIPTION
MXAD	EA	120V 60Hz
MXBD	EA	220V 60Hz

MIXER - Tank Mount with Drive Shaft

PART NUMBER	UM	DESCRIPTION
MX75M	EA	Works with 7.5-Gallon tank
MX15M	EA	Works with 15-Gallon tank
MX30M	EA	Works with 30-Gallon tank

MIXER - Head Assembly

PART NUMBER	UM	DESCRIPTION
MX100	EA	Works with all mixers

MIXER - Drive Assembly Service Kit

Kit includes parts as shown

PART NUMBER	UM	DESCRIPTION
MX120	KIT	120V 60Hz
MX220	KIT	220V 60Hz

WATER METER - JLP Plastic Water Meters Only

PART NUMBER	UM	DESCRIPTION	Works with JLP Meter
JLP38009P	2-PK	3/4" Plastic Couplings with Gaskets	3/4"
JLP38012P	2-PK	1" Plastic Couplings with Gaskets	1"
JLP38007R	2-PK	1/8" Rubber Gaskets for 3/4"	3/4"
JLP38012R	2-PK	1/8" Rubber Gaskets for 1"	1"
JLP32RS	EA	Reed Switch, single for 1 ppg or 10 ppg with screw	3/4," 1", 1.5"
JLP34RS	EA	Reed Switch, dual 2 ppg with screw	2 ppg or 4 ppg


PARTS INDEX

	PAGE		PAGE		PAGE		PAGE		PAGE		
AK20W6M	49	EC51C	37	MCFC5AY	53	MSK120	50	QP25T-1	44	STS15GC	35
AK4002B	49	FC5040D	53	MCFC5H0	53	MSK220	50	QP25TK	46	STS15NC	35
AK4002W	49	FC5D00S	53	MCFC5ID	53	MX100	54	QP400-1	47	STS30GC	35
AK4010B	49	FC5K00D	53	MCFC5L1	53	MX120	54	QP400-2	47	STS30NC	35
AK4010W	49	FC5LASY	53	MCINJ38	48	MX220	54	QP401-2	47	STS7G-02	35
AK4100B	49	FC5L002	53	MCKMDB0	48	MX15M	54	QP500-1	47	STS7N-02	35
AK4100W	49	FC5L003	53	MCKMINJ	48	MX30M	54	QP500-4	47	STS15G-02	35
AK600	49	FC5L005	53	MCKMI38	48	MX75M	54	QP501-3	47	STS15N-02	35
AK700	49	FC5M040	53	MCKMJCE	48	MXAD	54	QP50A-1	45	STS30G-02	35
AK800	49	FC5N000	53	MCTY-CE	43	MXBD	54	QP69-1	44	STS30N-02	35
AK900	49	FCS000A	53	MCTYDB5	48	P2000	49	QP69K	46	TVIJOR	48
BCV14TVH	48	FCS000C	53	MCTYGO	43	PM6041D	50	QP69T-1	44	UC-FDCE	43
CVIJ1/4	48	FSK100	53	MCTYIJ38	48	PM6042D	50	QP69TK	46	UCADPTR	49
CVIJ3/8	48	GSK45A	50	MCTYINJ	48	PM6081D	50	QPA10-1	45	UCAK100	49
CVIJOR	48	GSK45F	50	ME6041D	50	PM6082D	50	QPA10-2	45	UCAK200	49
DM5040D	53	GSK85F	50	ME6042D	50	PM64230	50	QPA17-1	45	UCAK300	48
DM5A00D	53	GSK85A	50	ME6081D	50	PM6426D	50	QPA17-2	45	UCAK3CE	48
DM6041D	50	JLP38009P	54	ME6082D	50	PM68230	50	QPA25-1	45	UCCP-FD	43
DM6042D	50	JLP38012P	54	ME64230	50	PM6826D	50	QPA25-2	45	UCCP20	43
DM6081D	50	JLP38007R	54	ME6426D	50	PM6A0BL	51	QPA69-1	45	UCCP2-CE	43
DM6082D	50	JLP38012R	54	ME68230	50	PM6A00L	51	QPA69-2	45	UCCPS0B	51,52
DM64230	50	JLP32RS	54	ME6826D	50	PM6E000	51	S310K	46	UCCVDB0	48
DM64250	50	JLP34RS	54	ME6Q0LD	51	PM6F000	51	S310-1	44	UCDBINJ	48
DM68230	50	MAGRE55	49	MP6B010	51	PM6K0BL	51	S310-2	44	UCFC5AD	53
DM68250	50	MALTO02	49	MP6B020	51	PM6M000	51	S311K	46	UCFC5AY	53
DM6Q0LD	51	MALTO10	49	MP6C000	51	PM6R0BL	51	S315-1	44	UCFC5H0	53
EC300	52	MALTO2B	49	MP6D000	51	PMBRPL2	51	S315-2	44	UCFC5ID	53
EC301	52	MALT100	49	MP6J115	51	QP10-1	44	S320K	46	UCFC5L1	53
EC302	52	MALT10B	49	MP6J222	51	QP10K	46	S320-1	44	UCKMDB0	48
EC303	52	MALTB10	49	MP6J223	51	QP100-1	47	S321K	46	UCKMINJ	48
EC304	52	MANUT00	49	MP6J226	51	QP100-4	47	S325-1	44	UCKMJCE	48
EC30-2	43	MCADPTR	49	MP6N040	51	QP10A-1	45	S3400-1	47	UCKMI38	48
EC307	52	MCAK100	49	MP6N080	51	QP10A-2	45	S3400-2	47	UCINJ38	48
EC310	52	MCAK200	49	MP60040	51	QP10T-1	44	S3500-1	47	UCTY-CE	43
EC320	52	MCAK2CE	49	MP60080	51	QP10TK	46	S3500-4	47	UCTY-DCE	43
EC330	52	MCAK300	48	MP6Q00D	51	QP17-1	44	S3600-1	47	UCTY-FD	43
EC350	47	MCCP2-CE	43	MP6T000	51	QP17-2	44	S3600-4	47	UCTYDB2	48
EC351	47	MCCP20	43	MP70000	51	QP17K	46	SSMRS20	41	UCTYGO	43
EC355	47	MCCPS0B	51,52	MP80000	51	QP17T-1	44	ST114	49	UCTYIJ38	48
EC500	37	MCCVDB0	48	MP90000	51	QP25-1	44	ST138	49	UCTYINJ	48
EC50C	37	MCDBINJ	48	MP90001	51	QP25-2	44	STS7GC	35		
EC501	37	MCFC5AD	53	MP90002	51	QP25K	46	STS7NC	35		

CHEMICAL RESISTANCE GUIDE

Ratings Key – Chemical Effect

- A** Fluid has minor or no effects
- B** Fluid has minor to moderate effects
- C** Fluid has severe effects
- * No data available

 **CAUTION** The information is provided ONLY as a guide to assist in determining chemical compatibility for wetted components. Testing under the specific conditions of the application is recommended. Stenner Pump Company assumes no responsibility for its accuracy. Outside factors including but not limited to temperature, pressure, mechanical stress, and solution concentration can affect material compatibility in a particular application. Stenner makes no warranty, expressed or implied, as to the accuracy of this guide or any materials' suitability for fitness or purpose for any application. User assumes all risk and liability for use of this guide.

Chemical / Solution	PP/Santoprene®	Versilon™	PVC	LDPE	FKM
Acetic Acid 20%	A	B	B	A	*
Acetic Acid 30%	B	C	C	A	B
Acetic Acid, Glacial	C	C	C	C	C
Acetic Anhydride	B	C	C	C	C
Aliphatic Hydrocarbons	B	B	B	B	*
Aluminum Chloride	A	A	A	B	A
Aluminum Sulfate	A	A	A	A	A
Alums	A	A	A	A	A
Ammonium Acetate	B	B	A	A	A
Ammonium Carbonate	A	A	A	A	A
Ammonium Chloride	A	B	A	B	A
Ammonium Hydroxide	A	B	A	A	B
Ammonium Nitrate	A	A	A	A	B
Ammonium Phosphate	A	A	A	A	A
Ammonium Sulfate	A	A	A	A	B
Amyl Acetate	A	C	C	C	C
Aniline	B	C	C	C	C
Antimony Salts	A	A	A	B	*
Arsenic Salts	A	A	A	B	*
Barium Hydroxide	A	A	A	B	A
Barium Salts	A	*	A	B	*
Beer	A	A	A	A	A
Benzene	C	C	C	C	B
Benzoic Acid	A	C	A	A	A
Bleach 5.25%	A	A	A	A	*
Boric Acid	A	A	A	A	A
Bromine	A	B	B	B	A
Butyl Acetate	A	C	C	C	C
Butyric Acid	A	C	B	C	*
Calcium Chloride	A	A	B	A	A
Calcium Hydroxide	A	C	A	A	A
Calcium Hypochlorite 5%	A	B	A	A	A
Calcium Salts	A	A	A	A	*
Carbon Disulfide	C	C	C	C	A
Carbon Tetrachloride	C	C	C	C	A
Castor Oil	B	A	A	*	A

Chemical / Solution	PP/Santoprene®	Versilon™	PVC	LDPE	FKM
Chlorine	*	*	*	*	*
<i>see Sodium Hypochlorite</i>					
Chloroacetic Acid	A	C	B	C	C
Chloroform	C	C	C	C	A
Chlorosulfonic Acid	B	C	C	C	C
Chromic Acid < 50%	B	C	B	A	A
Chromium Salts	A	*	A	B	*
Citric Acid	B	B	B	C	A
Copper Chloride	A	A	A	A	A
Copper Sulfate	A	A	A	A	A
Cottonseed Oil	B	A	B	A	A
Ethyl Acetate	A	C	C	C	C
Ethyl Alcohol	B	C	C	B	B
Ethyl Chloride	C	C	C	C	A
Ethylene Dichloride	C	C	C	C	A
Ethylene Glycol	A	A	A	A	A
Ethylene Oxide	B	A	C	C	C
Eucalyptus Oil	C	B	C	C	*
Fatty Acids	C	B	A	A	A
Ferric Chloride	A	A	A	A	A
Ferric Sulfate	A	A	A	A	A
Ferrous Chloride	A	A	A	A	A
Ferrous Sulfate	A	A	A	A	A
Fluoboric Acid	A	C	A	C	*
Fluosilicic Acid	A	A	A	A	A
Formaldehyde < 40%	A	B	A	C	C
Formic Acid	A	C	B	C	C
Glucose	A	A	A	A	A
Glue	A	A	A	A	A
Glycerin	A	A	A	A	A
Hydrochloric Acid 20%	A	C	A	A	A
Hydrochloric Acid 37%	A	C	A	A	A
Hydrocyanic Acid	A	B	A	A	A
Hydrofluoric Acid < 48%	A	C	B	A	A
Hydrofluoric Acid 48-75%	A	C	C	C	A
Hydrofluoric Acid, anhydrous	B	C	C	C	C

Chemical / Solution	PP/Santoprene®	Versilon™	PVC	LDPE	FKM
Hydrogen Peroxide < 50%	A	B	A	B	A
Hydrogen Sulfide	A	A	B	A	C
Iodine	A	A	C	B	A
Lactic Acid	A	B	B	A	A
Lead Acetate	B	A	A	A	C
Linseed Oil	B	A	A	A	A
Limonene	C	B	B	B	*
Lubricating Oils	C	A	B	C	A
Magnesium Chloride	A	A	B	A	A
Magnesium Hydroxide	A	A	A	A	A
Magnesium Sulfate	A	A	A	A	A
Malic Acid	A	B	A	A	A
Manganese Salts	A	A	A	A	*
Mercuric Chloride	A	A	A	A	A
Methylene Chloride	C	C	C	C	B
Mineral Oil	B	A	B	B	A
Mineral Spirits	C	A	B	B	A
Muriatic Acid, 20° Baume	A	C	A	A	A
Nitric Acid < 10%	A	C	A	B	A
Nitric Acid 10-30%	B	C	A	C	A
Nitric Acid 30-60%	C	C	B	C	A
Nitric Acid 70%	C	C	B	C	A
Nitric Acid, red fuming	C	C	C	C	C
Nitrous Acid	A	B	*	*	B
Oleic Acid	A	B	C	C	B
Oleum 20-25%	C	C	C	C	*
Oxalic Acid	A	C	B	A	A
Palmitic Acid	A	B	B	A	A
Petroleum Distillates	C	B	B	C	*
Phenol	B	C	C	B	A
Phosphoric Acid	A	C	A	A	A
Phthalic Acid	A	C	A	A	A
Pickling Solutions	A	C	*	*	B
Plating Solutions	A	C	*	*	A
Polyphosphate	A	A	A	A	*
Potassium Carbonate	A	A	A	A	A
Potassium Chlorate	A	A	A	A	A
Potassium Hydroxide	A	A	A	A	C
Potassium Dichromate	A	A	A	A	A
Potassium Iodide	A	A	B	B	A
Potassium Permanganate	A	A	A	A	A

Chemical / Solution	PP/Santoprene®	Versilon™	PVC	LDPE	FKM
Sea Water	A	A	A	A	A
Silicone Oil	C	A	A	B	A
Silver Nitrate	A	A	A	A	A
Soap Solutions	A	A	A	C	A
Sodium	A	A	A	A	*
Sodium Bisulfate	A	A	A	A	A
Sodium Bisulfite	A	A	A	A	A
Sodium Borate	A	A	A	A	A
Sodium Carbonate	A	A	A	A	A
Sodium Chlorate	A	A	A	A	A
Sodium Chloride	A	A	A	A	A
Sodium Dichromate 20%	A	*	B	*	A
Sodium Hydroxide < 20%	A	B	A	B	A
Sodium Hydroxide 20-46.5%	A	C	A	B	A
Sodium Hypochlorite 5%	A†	B	A	A	A
Sodium Hypochlorite 6-15%	A†	B	A	A	*
Sodium Nitrate	A	A	A	A	A
Sodium Silicate	A	A	A	A	A
Sodium Sulfide	A	A	A	A	A
Sodium Sulfite	A	A	A	A	A
Solvents	C	B	B	B	*
Soybean Oil	B	A	A	A	A
Stannous Chloride 15%	A	A	A	B	A
Stearic Acid	A	B	B	B	A
Sulfur Dioxide liquid	A	C	C	C	B
Sulfur Trioxide	B	C	A	C	A
Sulfuric Acid < 40%	B	B	B	B	A
Sulfuric Acid > 40%	C	C	C	C	A
Sulfurous Acid	A	A	A	B	C
Tannic Acid 10%	A	B	A	B	A
Tanning Liquors	A	A	A	A	A
Tartaric Acid	A	A	A	A	A
Titanium Salts	A	A	A	B	*
Triethanolamine	A	C	C	C	C
Tri Sodium Phosphate	A	A	A	A	A
Tung Oil	B	B	C	C	A
Turpentine	B	B	C	C	A
Urea	B	A	B	A	A
Water & Brine	A	A	A	A	A
Zinc Chloride	A	A	B	A	A
Zinc Salts	A	A	A	A	*

† Products tested and certified by WQA to ANSI/NSF Standard 61 for contact with Sodium Hypochlorite and Water only and Standard ANSI/NSF 372 for low lead compliance.
NOTE: FKM tested to ANSI/NSF 61 with water only.

Limited Warranty

Stenner Pump Company will for a period of one (1) year from the date of purchase (proof of purchase required) repair or replace – at our option – all defective parts. Stenner is not responsible for any removal or installation costs. Pump tube assemblies and rubber components are considered perishable and are not covered in this warranty. Pump tube will be replaced each time a pump is in for service, unless otherwise specified. The cost of the pump tube replacement will be the responsibility of the customer. Stenner will incur shipping costs for warranty products shipped from our factory in Jacksonville, Florida. Any tampering with major components, chemical damage, faulty wiring, weather conditions, water damage, power surges, or products not used with reasonable care and maintained in accordance with the instructions will void the warranty. Stenner limits its liability solely to the cost of the original product. We make no other warranty expressed or implied.

Returns

Stenner offers a 30-day return policy on factory direct purchases. Except as otherwise provided, no merchandise will be accepted for return after 30 days from purchase. To return merchandise at any time, call Stenner at 800.683.2378 for a Return Merchandise Authorization (RMA) number. A 15% restocking fee will be applied. Include a copy of your invoice or packing slip with your return.

Problem with Shipment

Check orders immediately upon arrival. Any claim of damage, shortage or order discrepancy must be noted on the delivery receipt and reported to Stenner Customer Service at 800.683.2378 within seven (7) days of receipt.

Pump Service & Repairs

Before returning a pump for warranty or repair, remove chemical from pump tube by running water through the tube, and then run the pump dry. Following expiration of the warranty period, Stenner Pump Company will clean and overhaul any Stenner metering pump for a minimum labor charge plus necessary replacement parts and shipping. All metering pumps received for overhaul will be restored to their original condition. The customer will be charged for missing parts unless specific instructions are given. To return merchandise for repair, call Stenner at 800.683.2378 or 904.641.1666 for a Return Merchandise Authorization (RMA) number.

Disclaimer

This information is not intended for specific application purposes. Stenner Pump Company reserves the right to make changes to prices, products, and specifications at any time without prior notice

Trademarks

Santoprene® is a registered trademark of Exxon Mobil Corporation.

Versilon™ is a registered trademark of Saint-Gobain Performance Plastics.

Pellathane® is a registered trademark of The Dow Company.

AquaShield® is a registered trademark of Houghton International.

* Refer to chemical resistance guide for compatibility.

STENNER PUMP COMPANY

3174 DeSalvo Road
Jacksonville, Florida 32246 USA

Phone: 904.641.1666
US Toll Free: 800.683.2378
Fax: 904.642.1012

sales@stenner.com
www.stenner.com

Hours of Operation (EST):
Mon.–Thu. 7:30 am–5:30 pm
Fri. 7:00 am–5:30 pm

 Assembled in the USA